



Cadillac Escalade

You really have to admire the courage of the person that walked into the product development meeting at Cadillac® a few years ago and stated that what was needed in the line was a four wheel drive truck. After all, throughout Cadillac's long history the emphasis was on luxury cars. A shiny Cadillac in one's driveway was a sign for everyone that this person had made it. Popular legend has it that a pink Cadillac for his mother was one of the first purchases Elvis Presley made with his new found wealth in the 50's.

But times change and the very luxurious Escalade™ sport utility vehicle is now one of Cadillac's hottest selling models.

Not just Cadillac, but Mercedes, Porsche and other makes you would never think would release an SUV have. So what is it about these vehicles that has made them so popular among the American motoring public? The answer is probably rooted all the way back to the very first four wheel drive vehicles developed for our troops in World War II. We love cars because they can transport us to places that we would otherwise have to walk to. Four wheel drive vehicles took that one step further because they transported us to

places we couldn't go to in a car because there was no road. They added something near and dear to all of us-freedom. The freedom to go for a winter drive without waiting for the snow plow to come through. To carry all the family members and all their stuff at once. To be able to see above the traffic ahead.

While new and different offerings are being added to the Cadillac product mix, one thing about them that hasn't changed is that helping of Cadillac luxury, and the Escalade has received a healthy dose. Not just the expected climate control or plush leather seats, but items that only appeared on show cars only a few years ago-traction control, stability systems that take over if you start to slide, satellite enabled navigation systems, even radar built into the rear bumper to warn you if something is in your path even if you can't see it. Add in the handsome new corporate front end styling and it's easy to see why the Cadillac Escalade has become one of the hottest rides around.



*** REPEAT SEVERAL TIMES**
* A REPETER PLUSIEURS FOIS



*** OPTIONAL PARTS**
* PIECES EN OPTION



*** DECAL**
* DECAL COMANIE



*** ALTERNATIVE ASSEMBLY**
* ENSEMBLAGE ALTERNATIVE



*** CEMENT TOGETHER**
* A COLLER



*** REMOVE AND THROW AWAY**
* A RETIRER ET JETER



*** DO NOT CEMENT**
* NE PAS COLLER

READ THIS BEFORE YOU BEGIN

- * Study the assembly drawings.
- * Each plastic part is identified by a number.
- * In the assembly drawings, some parts will be marked by a star (★) to indicate chrome plated plastic.
- * For better paint and decal adhesion, wash the plastic parts in a mild detergent solution. Rinse and let air dry.
- * Check the fit of each piece before cementing in place.
- * Use only cement for polystyrene plastic.
- * Scrape plating and paint from areas to be cemented.
- * Allow paint to dry thoroughly before handling parts.
- * Any unused parts may be discarded.

DECAL APPLICATION INSTRUCTIONS

1. Cut desired decal from sheet.
2. Dip decal in water for a few seconds.
3. Place wet decal on paper towel.
4. Wait until decal is movable on paper backing.
5. Place decal in position on model, face up and slide backing away.
6. Press out air bubbles with a soft damp cloth.
7. Milkiness that may appear is for better decal adhesion and will dry clear. Wipe away any excess adhesive.
8. Do not touch decal until fully dry.
9. Allow the decals 48 hours to dry before applying clear coat.

NOTE: Decals are compatible with setting solutions or solvents.

LIRE CE QUI SUIT AVANT DE COMMENCER

- * Etudier les schémas de montage.
- * Chaque pièce en plastique est identifiée par un numéro.
- * Sur les schémas de montage, certaines pièces sont marquées d'une étoile (★) pour indiquer qu'elles sont en plastique chrome.
- * Pour une meilleure prise de la peinture et des autocollants, laver les pièces en plastique avec une solution détergente peu concentrée. Les rincer et les laisser sécher à l'air.
- * Vérifier que chaque pièce s'ajuste bien avant de la coller en place.
- * N'utiliser que de la colle pour polystyrène.
- * Gratter les parties à coller pour enlever le chrome et la peinture.
- * Laisser la peinture bien sécher avant de manipuler les pièces.
- * Toute pièce inutilisée peut être jetée.

DIRECTIVES D'APPLICATION DES AUTOCOLLANTS

1. Découper l'autocollant désiré de la feuille.
2. Tremper l'autocollant dans de l'eau pendant quelques secondes.
3. Placer l'autocollant mouillé sur une serviette en papier.
4. Attendez que l'autocollant puisse être déplacé sur son support en papier.
5. Mettre l'autocollant en position sur le modèle face sur le dessus et faire glisser le support pour l'enlever.
6. Appuyer avec un chiffon doux humide pour éliminer les bulles d'air.
7. La substance laiteuse qui peut apparaître est destinée à améliorer l'adhésion de l'autocollant et devient incolore au séchage. Essuyer pour enlever tout excédent d'adhésif.
8. Ne pas toucher l'autocollant tant qu'il n'est pas bien sec.
9. Laisser l'autocollant sécher pendant 48 heures avant d'appliquer une couche transparente.

REMARQUE: Les autocollants sont compatibles avec les solutions de fixation ou les solvants.

This optional paint guide is provided if you choose to detail paint your model.

Ce guide de peintures vous sera fourni si vous choisissez de peindre votre modèle en détail.

Aluminium	Aluminium
Dark Gray	Gris foncé
Gloss Black	Noir brillant
Gloss White	Blanc brillant
Gloss White Pearl	Blanc brillant nacré métallise
Metallic	Gris
Gray	Noir satiné
Semigloss Black	Acier
Steel	Rouge transparent
Transparent Red	Feu clignotant de direction ambre
Turn Signal Amber	Bois

If you have any questions or comments, call our hotline at: **(800) 833-3570**
or, please write to:

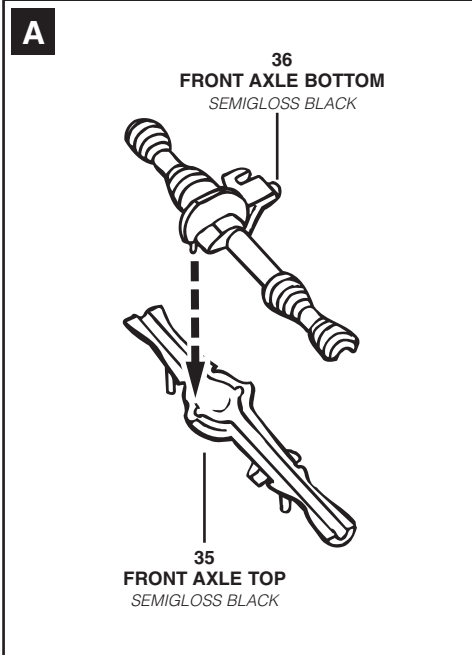
Revell-Monogram Consumer Service Department, 725 Landwehr Road, Northbrook, Illinois 60062

Be sure to include the plan number (85218900200), part number, description, your return address and phone number.

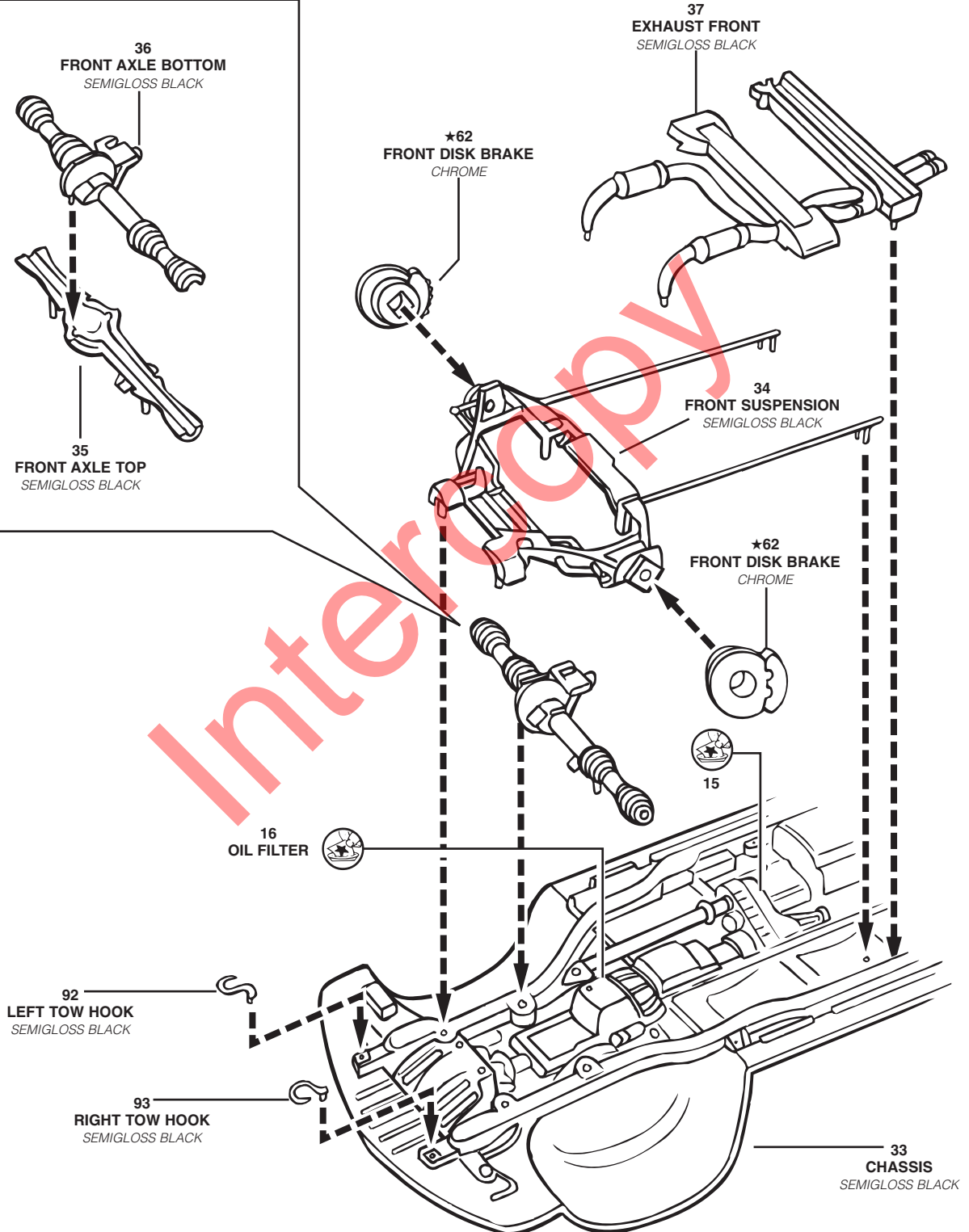
Visit our website: www.revell-monogram.com

1

FRONT SUSPENSION ASSEMBLY

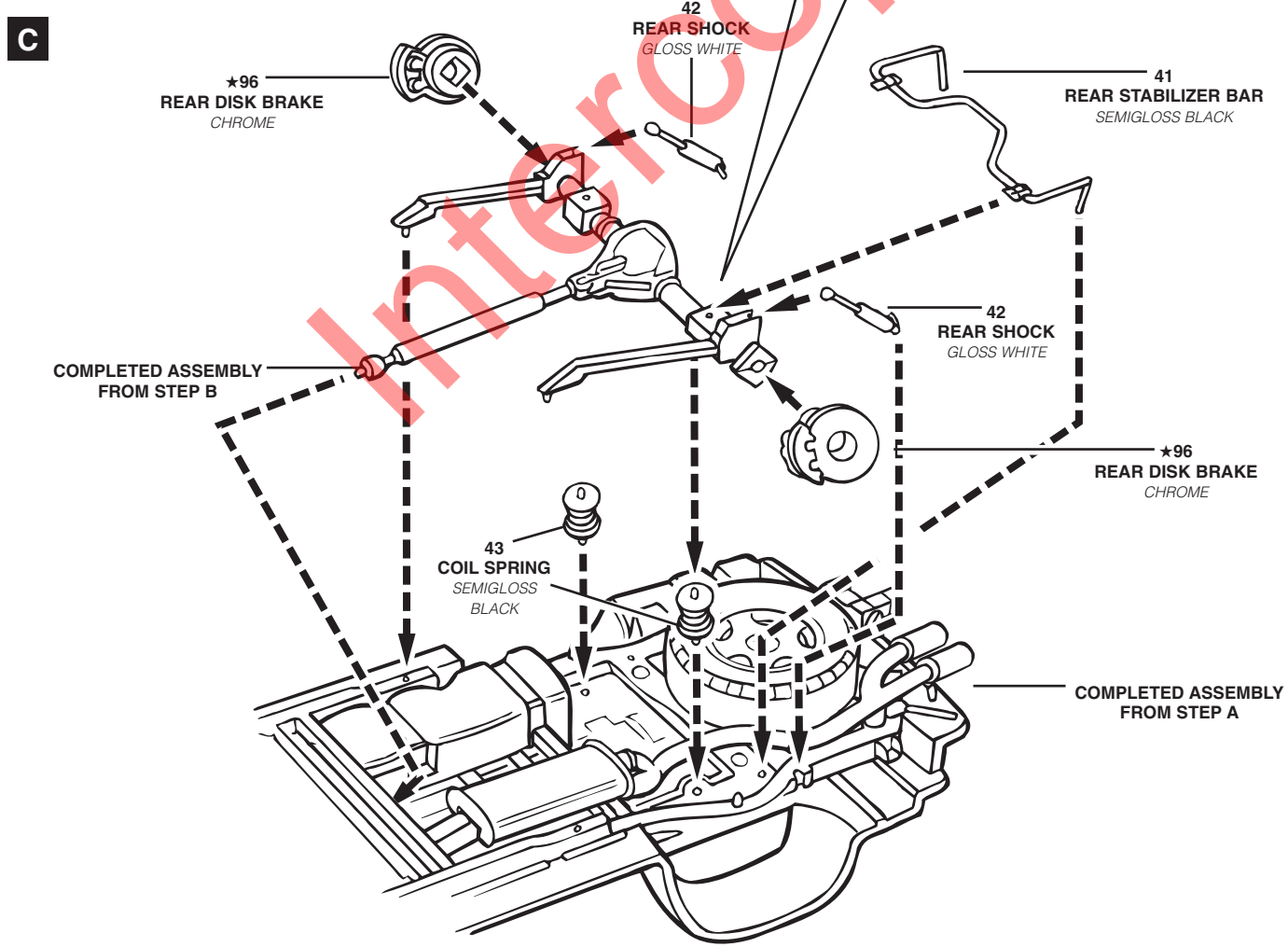
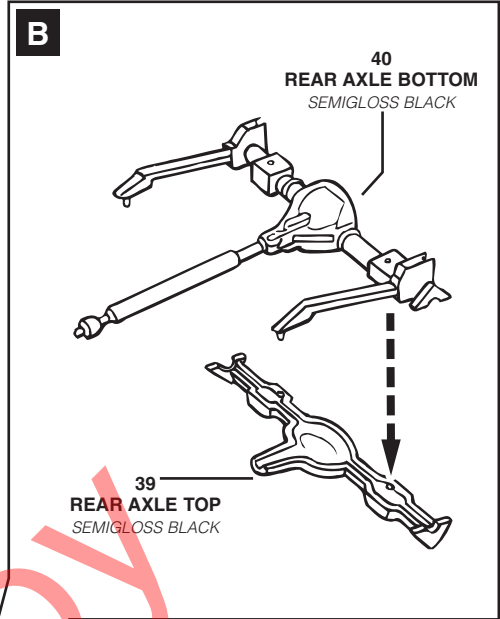
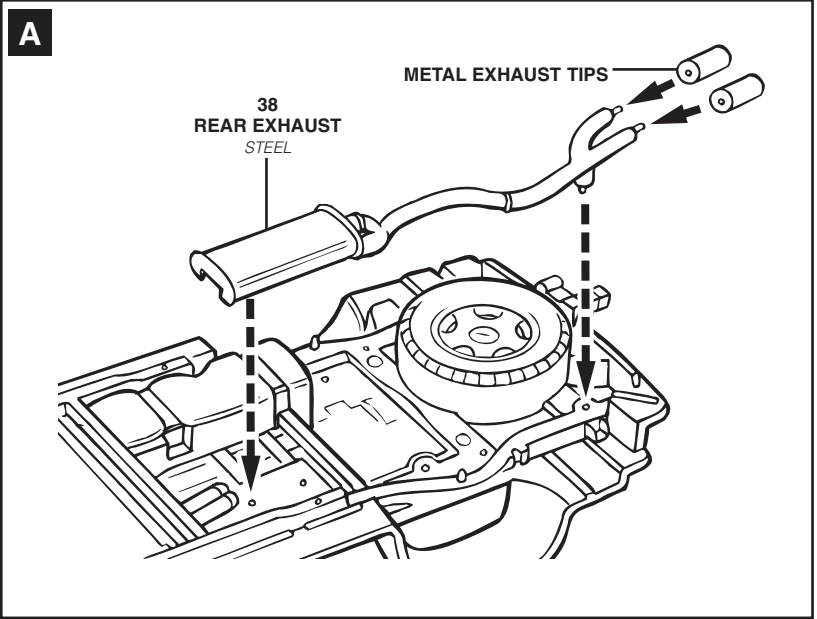


B



2

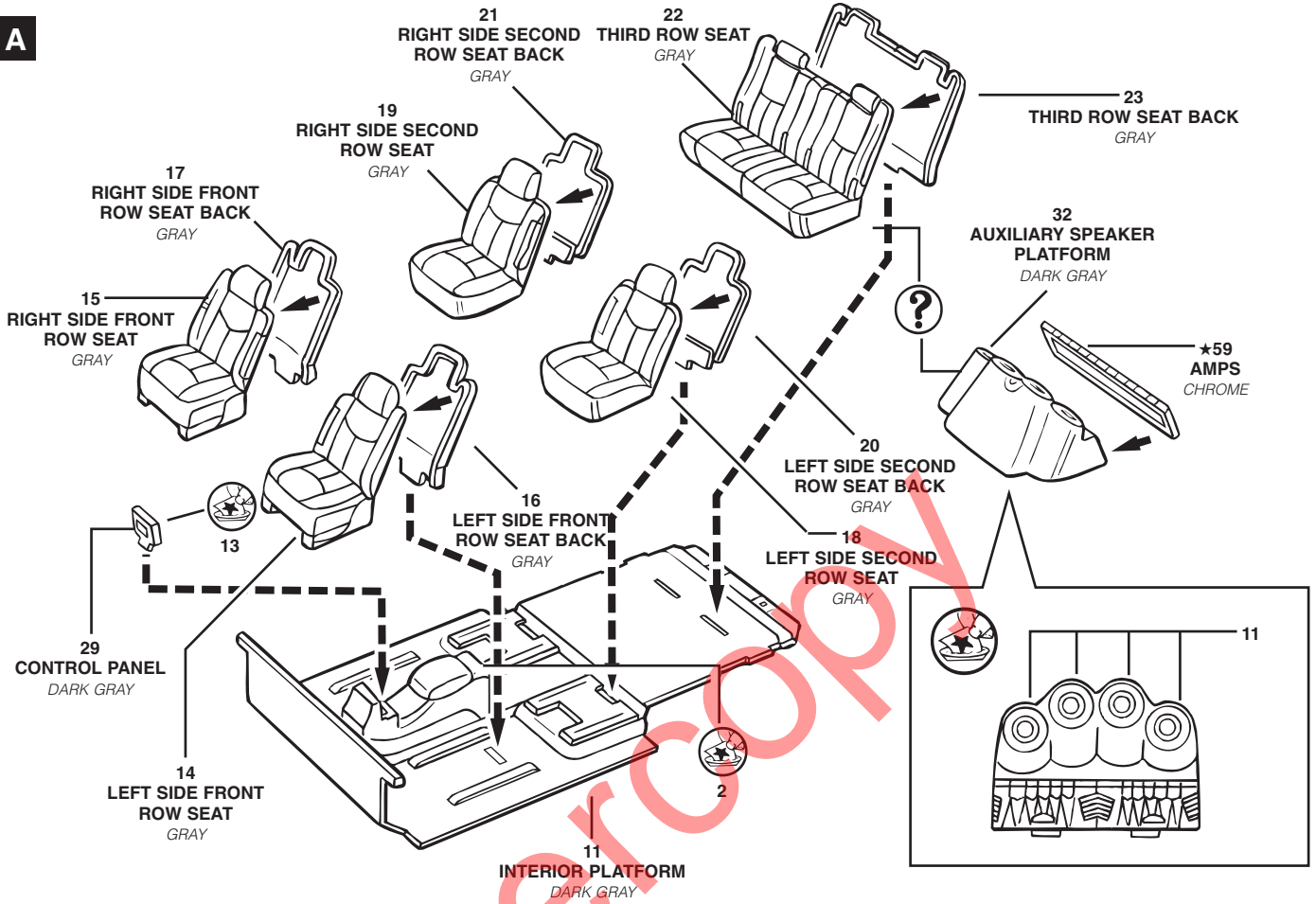
REAR SUSPENSION ASSEMBLY



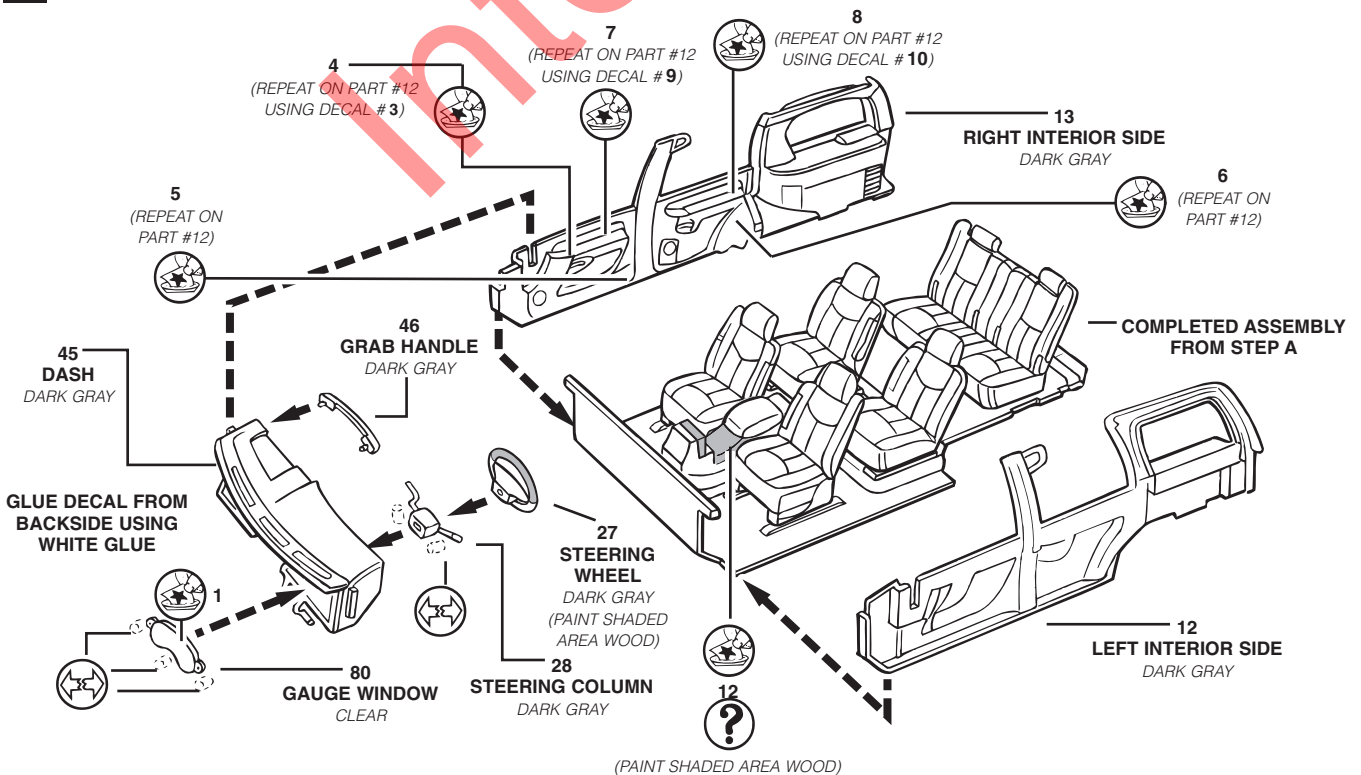
3

INTERIOR ASSEMBLY

A

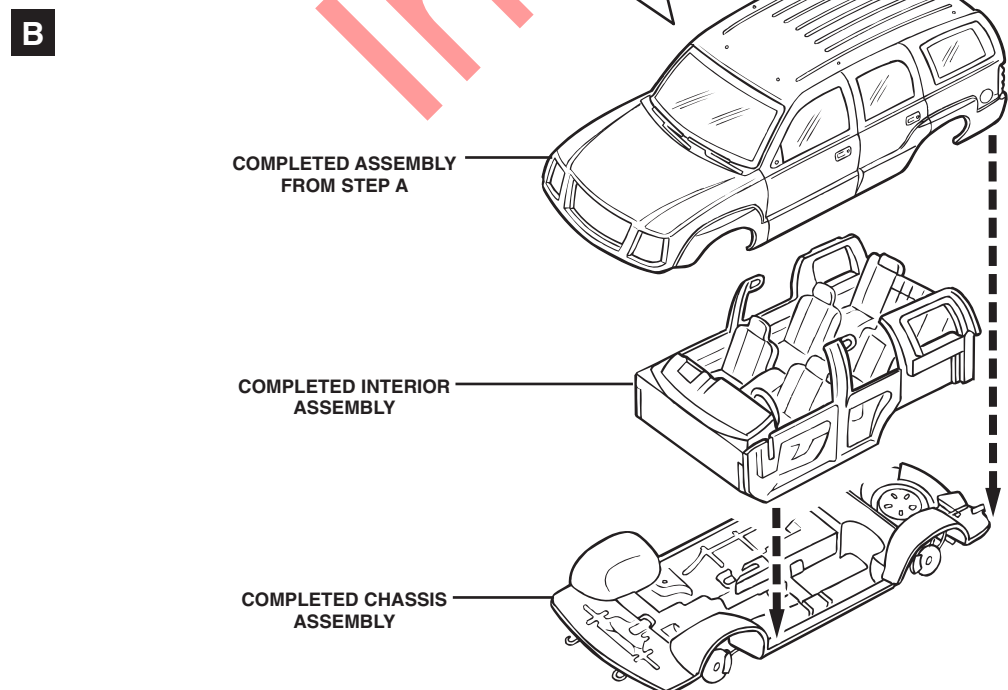
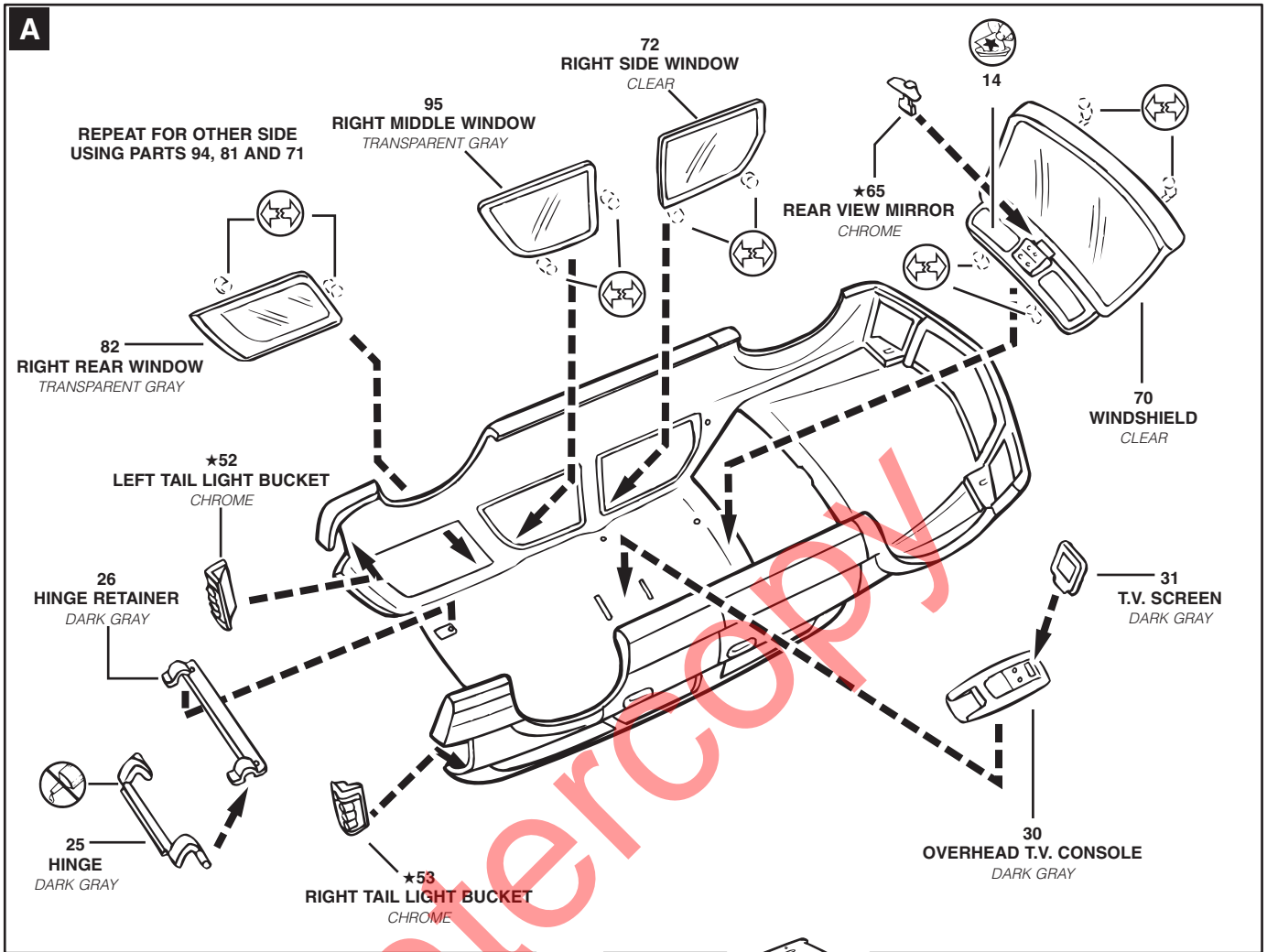


B



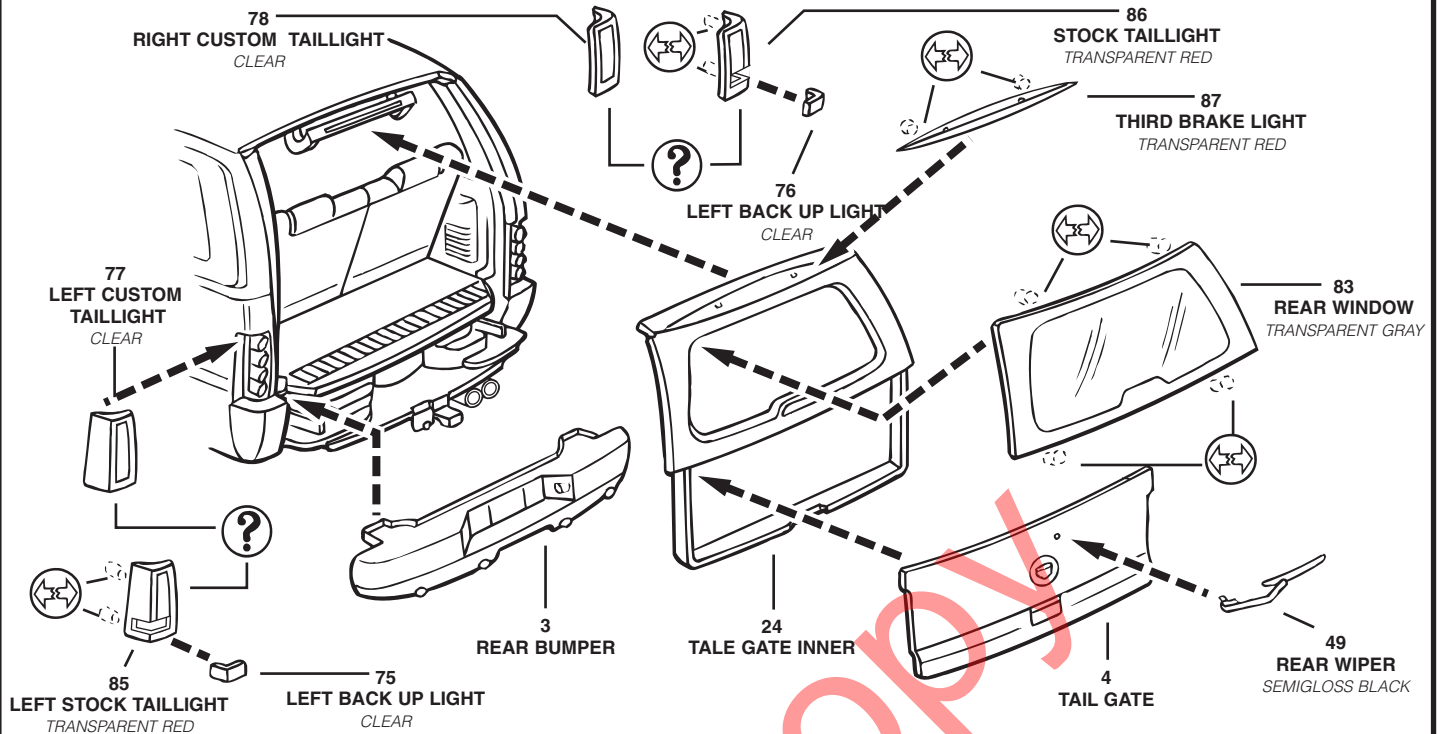
4

WINDSHIELD AND WINDOWS ASSEMBLY



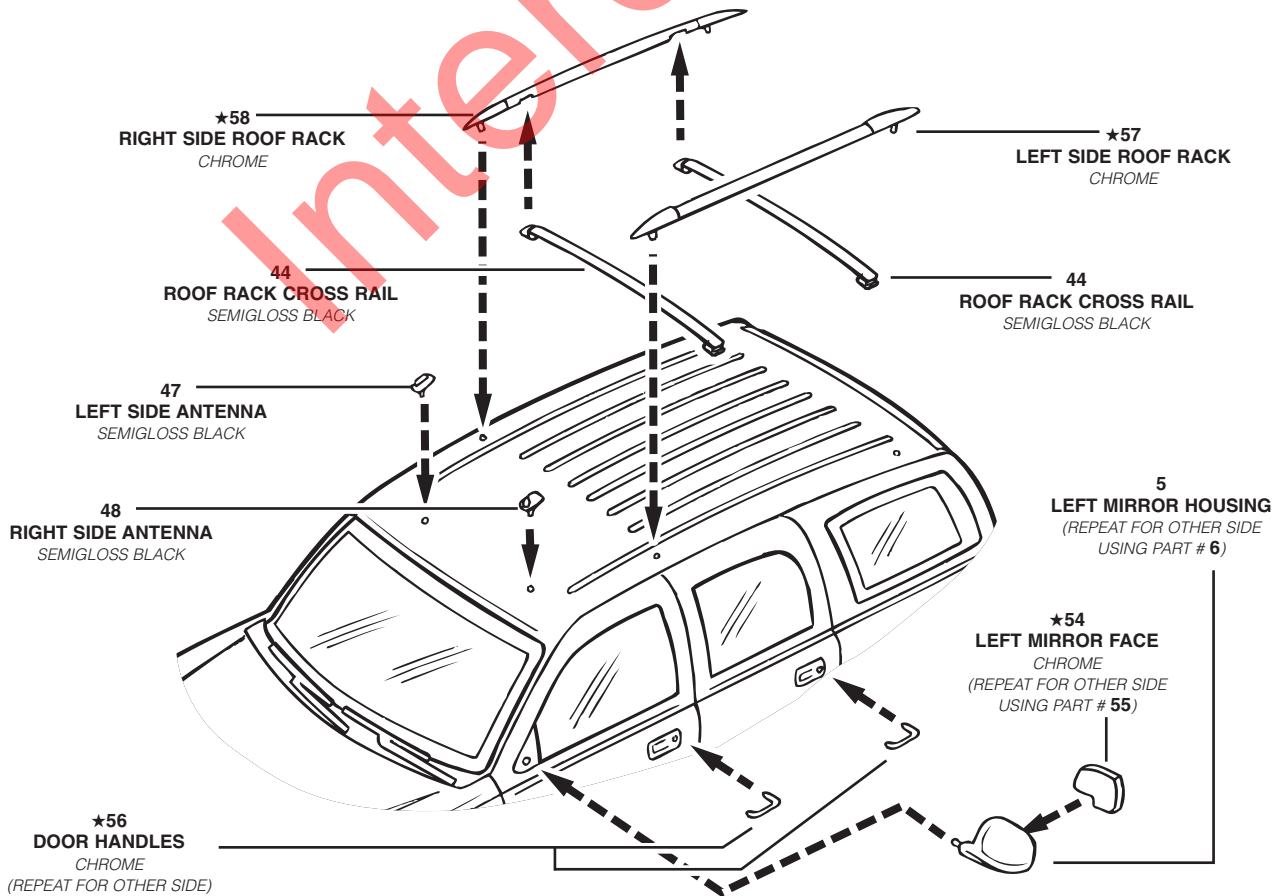
5

REAR BODY ASSEMBLY



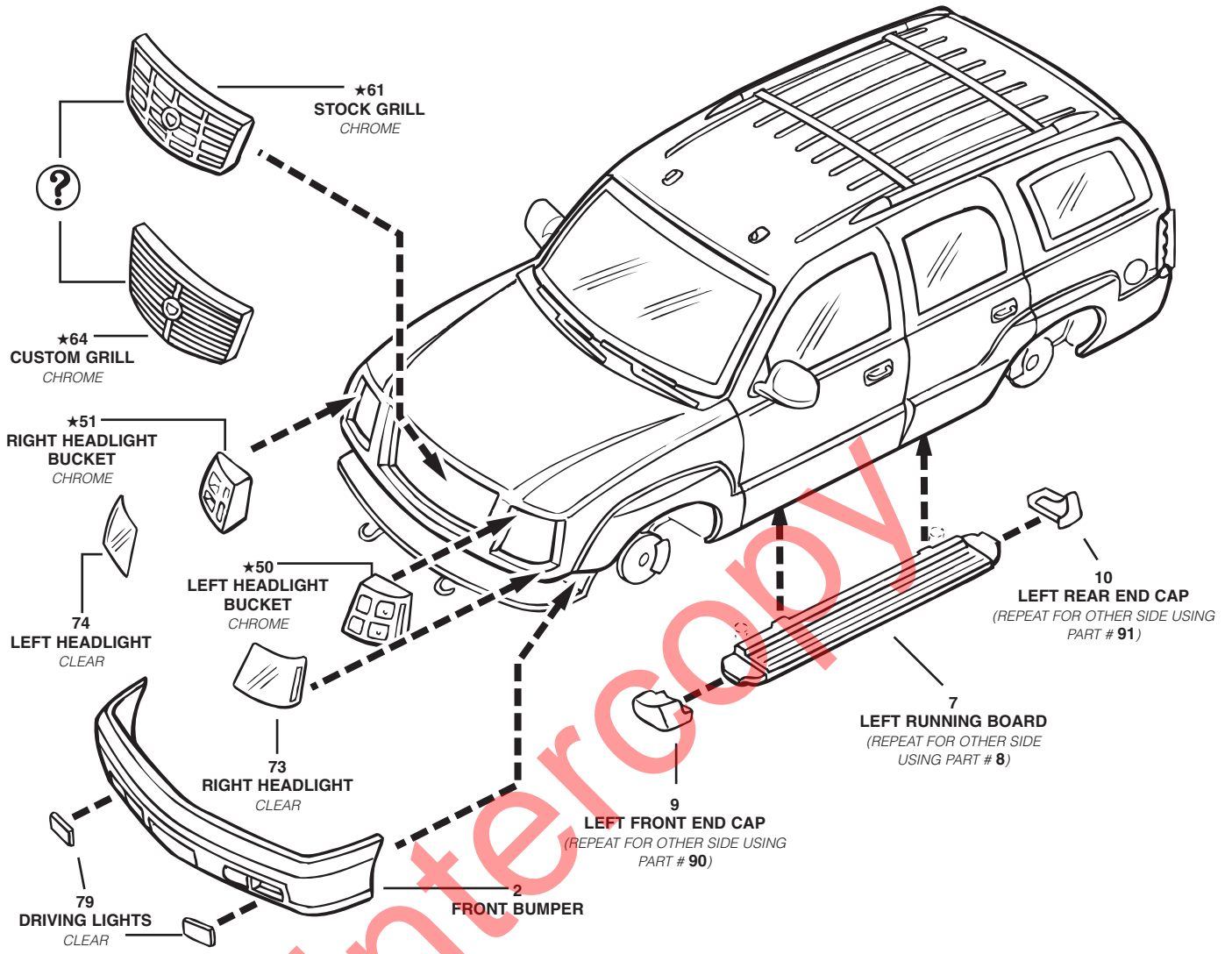
6

TOP BODY ASSEMBLY



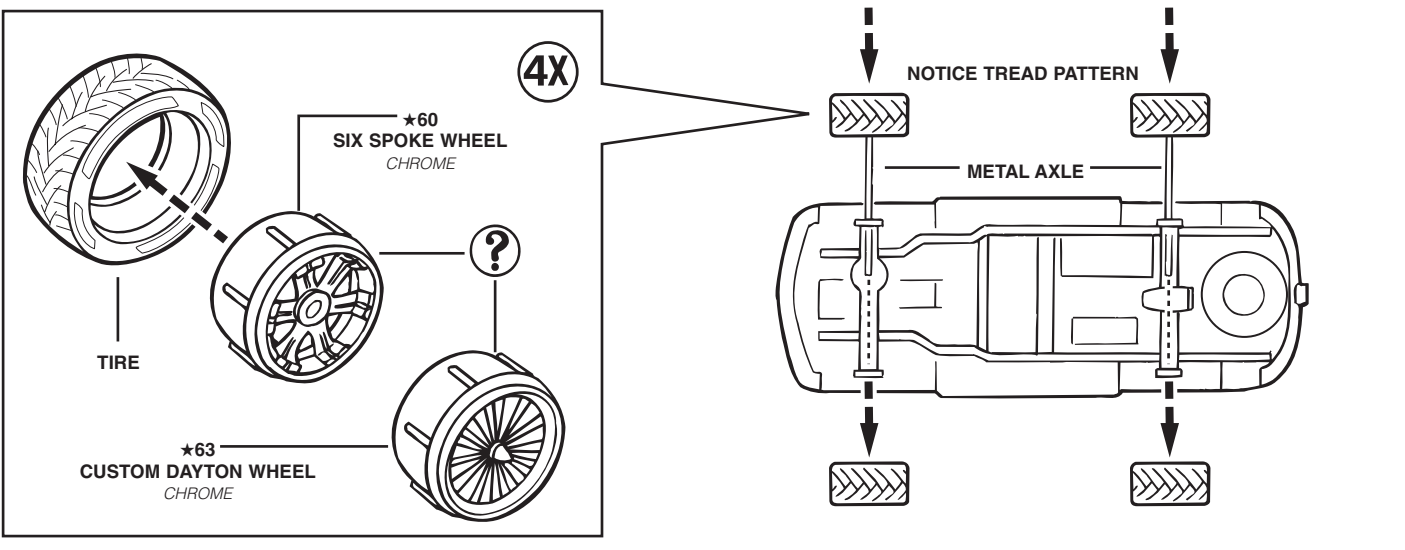
7

BODY ASSEMBLY

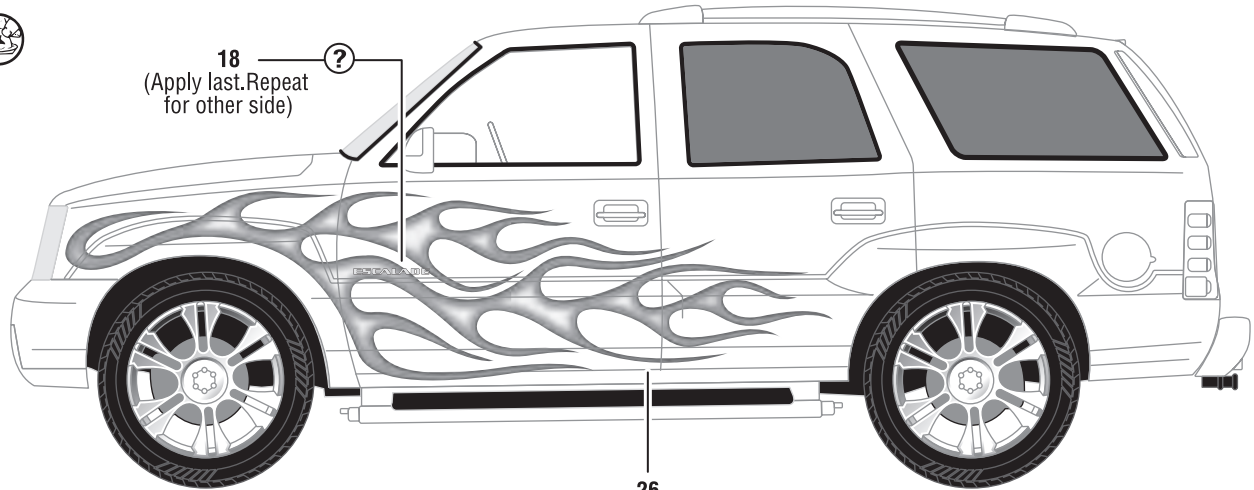


8

FINAL ASSEMBLY

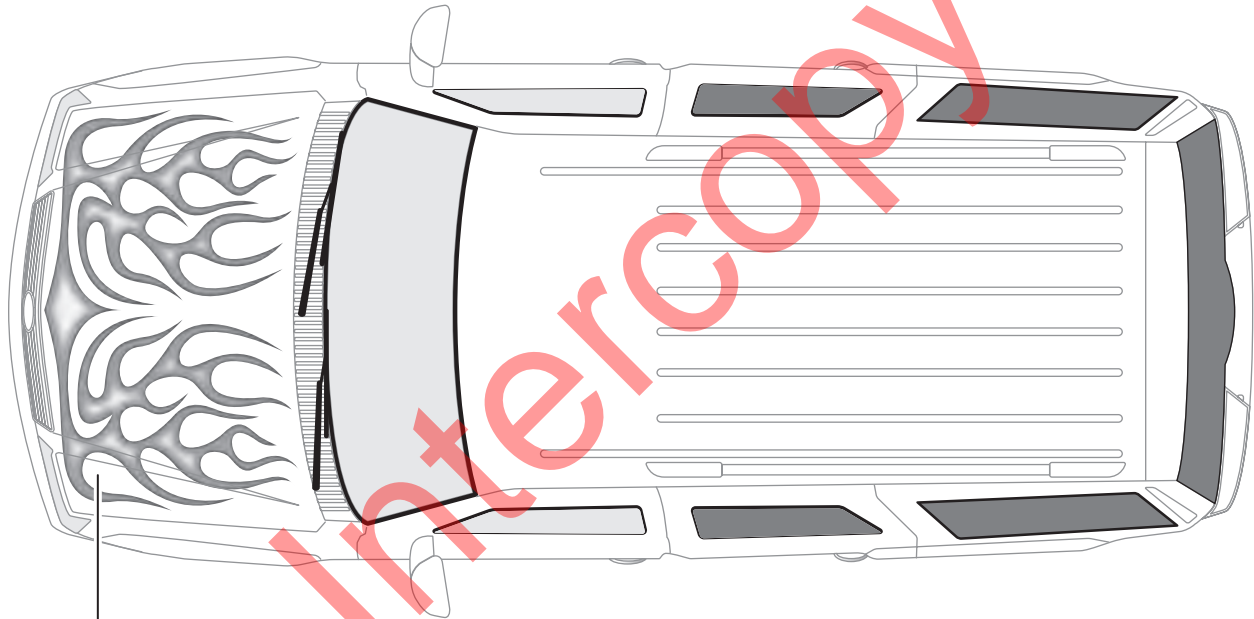


DECAL PLACEMENT



18
(Apply last. Repeat
for other side)

26
(Repeat for other
side # 24)



25

19

20 or 22

17

23

?

21

