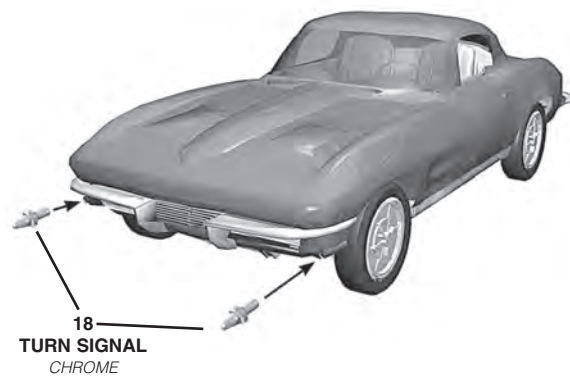
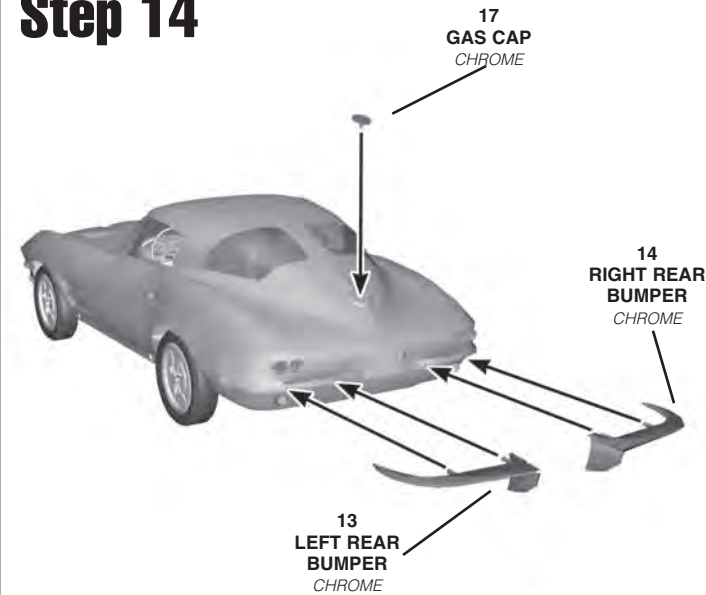


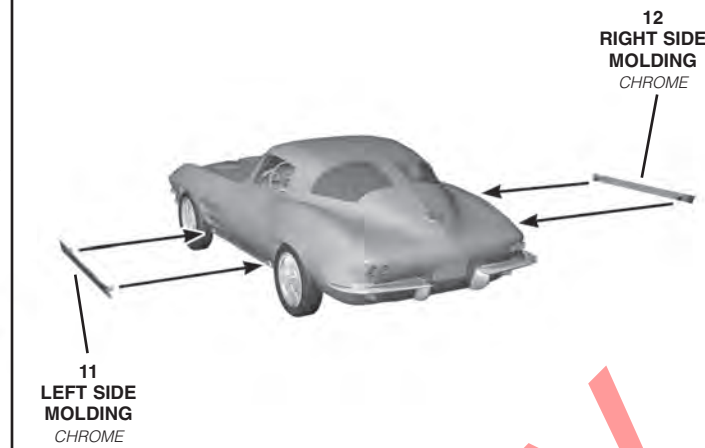
Step 13



Step 14

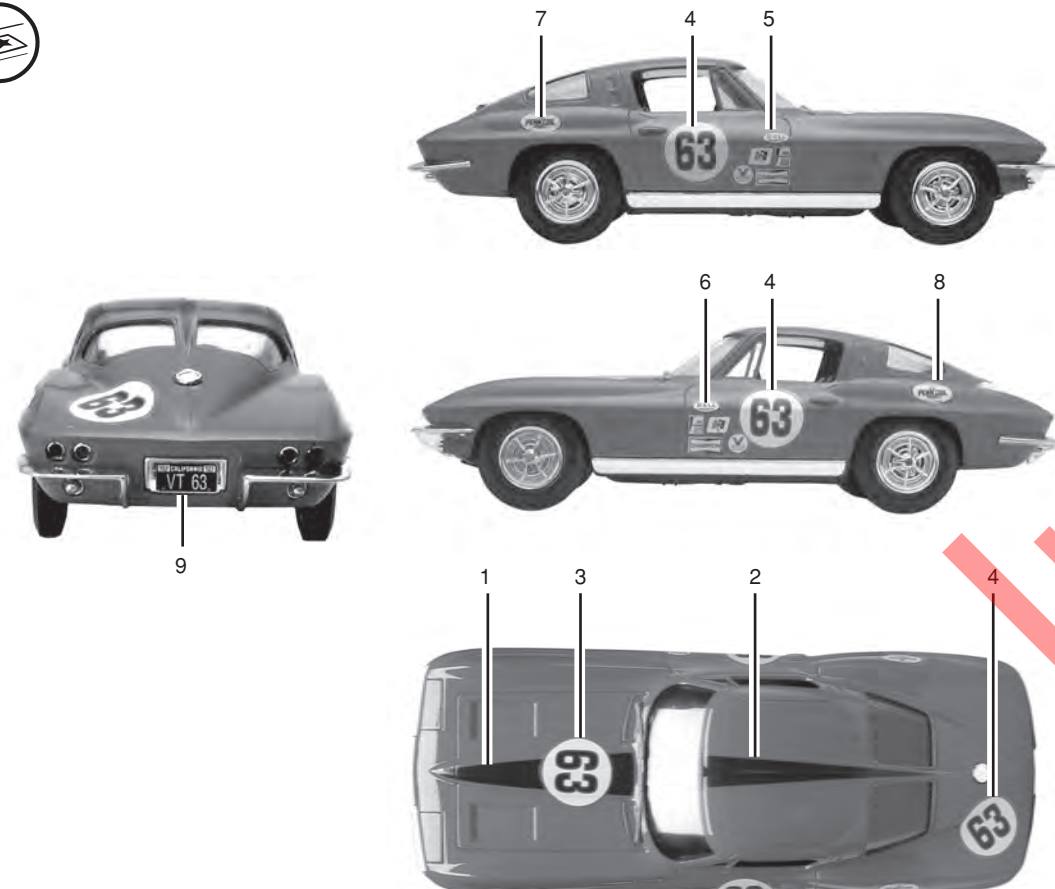


Step 15



Step 16

Sticker Placement Guide



NOTE:

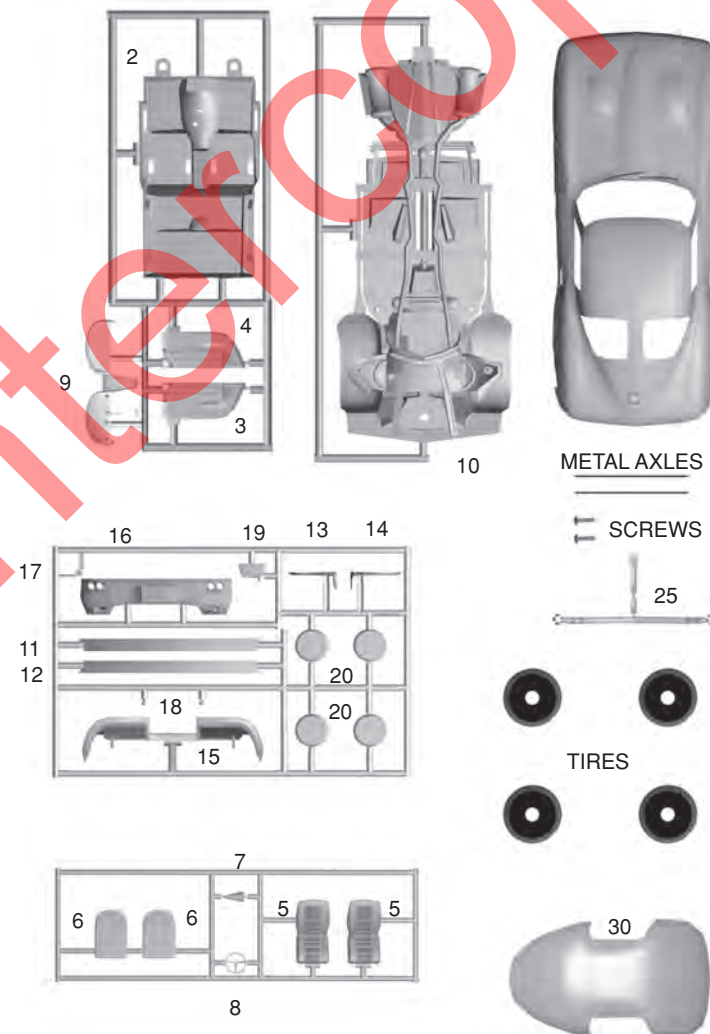
When applying stickers, avoid touching the "sticky" side to prevent finger prints on stickers. Bend sticker sheet slightly to lift edge of sticker & use a fingernail to lift sticker from sheet. Line up sticker on body and press an edge into place, slowly working sticker with a finger nail until sticker is fully on model.

REMARQUE :

Pendant l'application des autocollants, éviter de toucher à la face collante pour ne pas laisser d'empreintes. Plier légèrement la feuille d'autocollants pour relever le bord d'un autocollant, et le détacher de la feuille avec le bout d'un angle. Aligner l'autocollant sur la carrosserie, appuyer pour coller un de ses bords, et continuer de l'appliquer lentement du bout de l'ongle jusqu'à ce qu'il soit complètement collé sur le modèle réduit.

Parts Included

ANY UNUSED PARTS MAY BE DISCARDED



The 1963 Corvette is a true American classic that is widely regarded as one of Chevrolet's best cars ever. 1963 was the first year the Corvette was called the Sting Ray, the first year a fixed roof coupe was offered, and the first year for the Corvette's signature hidden headlights. Corvette is synonymous with sports car, and with its 327 V-8 and all-new independent rear suspension, the '63 Sting Ray did not disappoint. The new '63 model represented the most radical design and engineering change in Corvette history, and the influence of its timelessly beautiful styling can still be seen clearly in today's Corvette.

Your Revell Wheels of Fire kit features easy snap and screw together assembly, detailed interior and chassis, chrome plated parts, and colorful optional road racing numbers and sponsor decals. Enjoy building your kit of this classic Corvette!



- * REMOVE AND THROW AWAY
* A RETIRER ET JETER
- * OPTIONAL PARTS
* PIÈCES EN OPTION
- * REPEAT SEVERAL TIMES
* A REPETER PLUSIEURS FOIS
- * APPLY STICKERS
* APPLIQUEZ LES AUTO-COLLANTS

READ BEFORE YOU BEGIN	À LIRE AVANT DE COMMENCER
<ul style="list-style-type: none"> • CLEAR A SPACE TO WORK ON • STUDY THE ASSEMBLY DRAWINGS BEFORE YOU BEGIN • EACH PLASTIC PART IS IDENTIFIED BY A PART NUMBER • DO NOT OVER TIGHTEN SCREWS • SEE NOTE ABOUT APPLYING STICKERS IN STEP #16 <p style="text-align: center;">CAUTION: POSITION ALL PARTS IN THIS KIT CAREFULLY. PARTS WILL ONLY SNAP TOGETHER ONCE.</p>	<ul style="list-style-type: none"> • DÉGAGGEZ UN ESPACE POUR TRAVAILLER. • ÉTUDIEZ LES ÉTAPES DE MONTAGE AVANT DE COMMENCER. • CHAQUE PIÈCE EN PLASTIQUE PORTE UN NUMÉRO DE PIÈCE. • NE SERREZ PAS TROP LES VIS. • LISEZ LA RE MARQUE CONCERNANT L'APPLICATION DES AUTO COLLANTS, À L'ÉTAPE 16. <p style="text-align: center;">MISE EN GARDE: POSITIONNEZ AVEC PRÉCAUTION TOUTES LES PIÈCES DE CE MODÈLE RÉDUIT, CAR VOUS NE POUVEZ LES EMBOÏTER QU'UNE SEULE FOIS.</p>

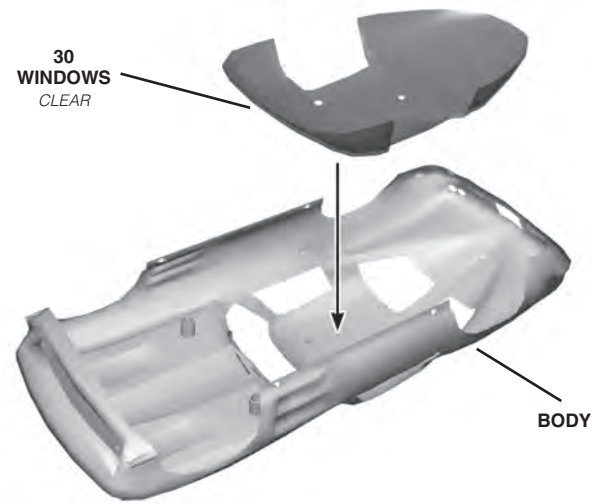
If you have any questions or comments, call our hotline at: **(800) 833-3570** or, please write to:

Revell-Monogram Consumer Service Department, 725 Landwehr Road, Northbrook, Illinois 60062

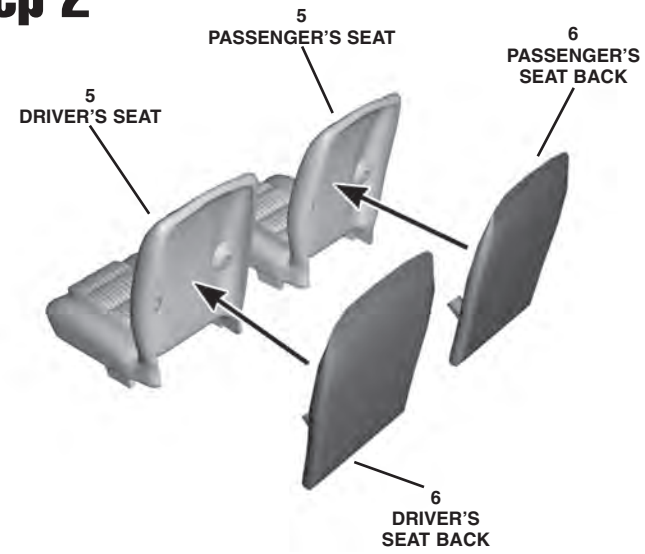
Be sure to include the plan number (85191500200), part number, description, your return address and phone number.

Visit our website: www.revellmonogram.com

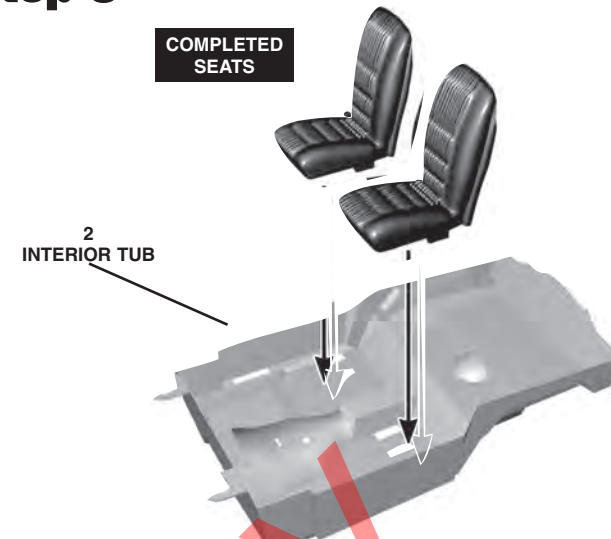
Step 1



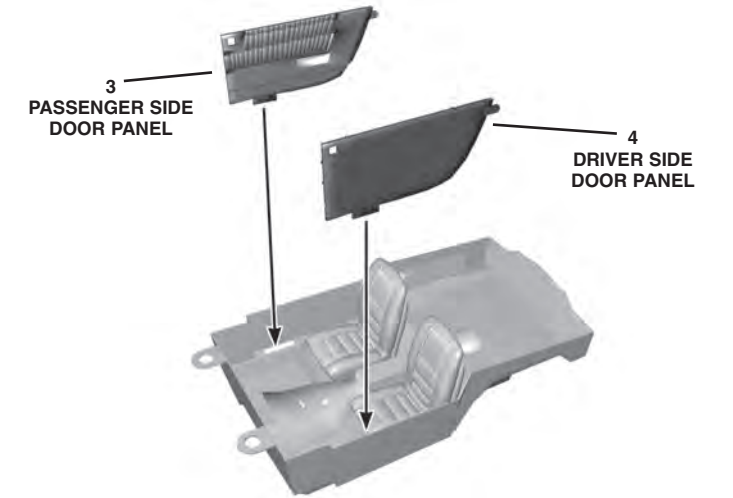
Step 2



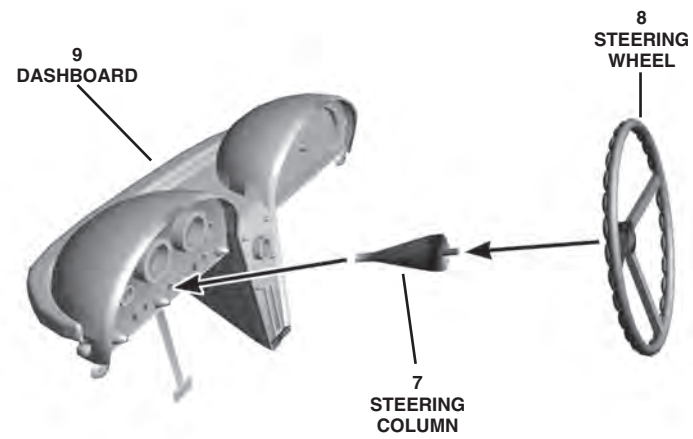
Step 3



Step 4



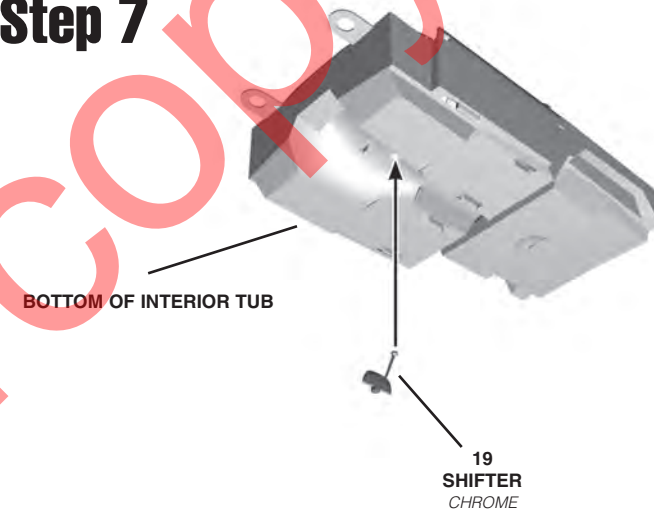
Step 5



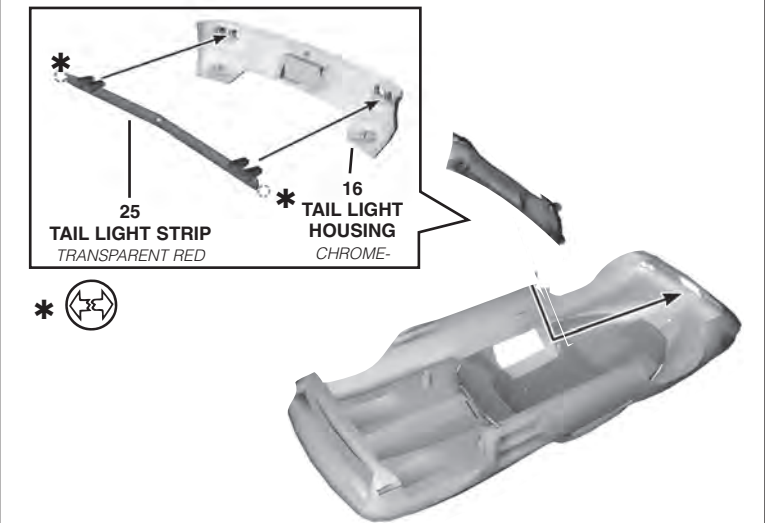
Step 6



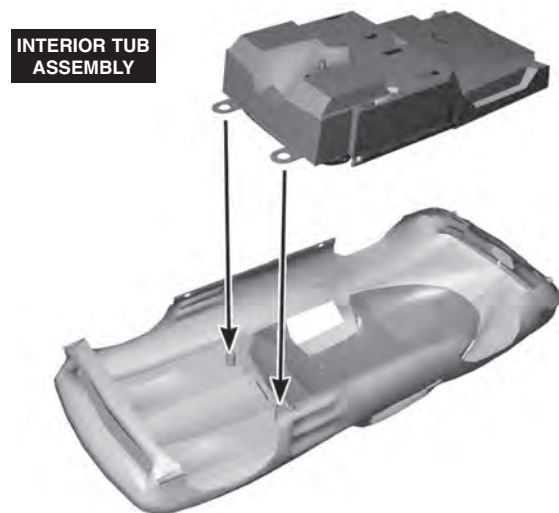
Step 7



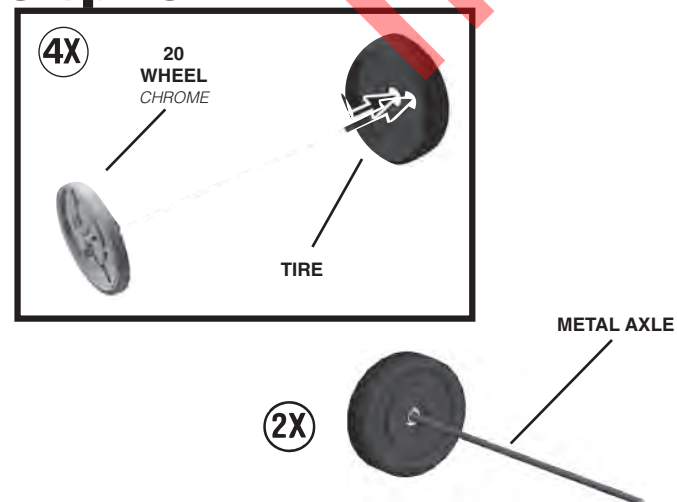
Step 8



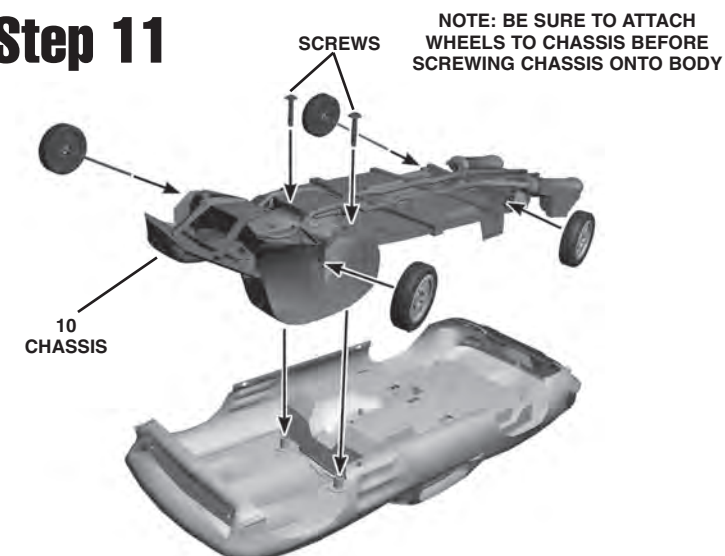
Step 9



Step 10



Step 11



Step 12

