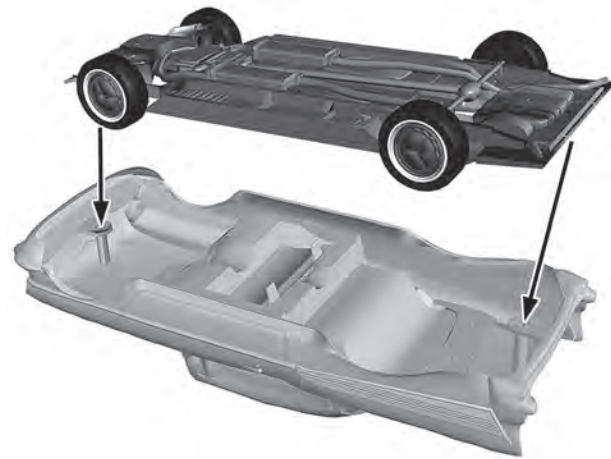
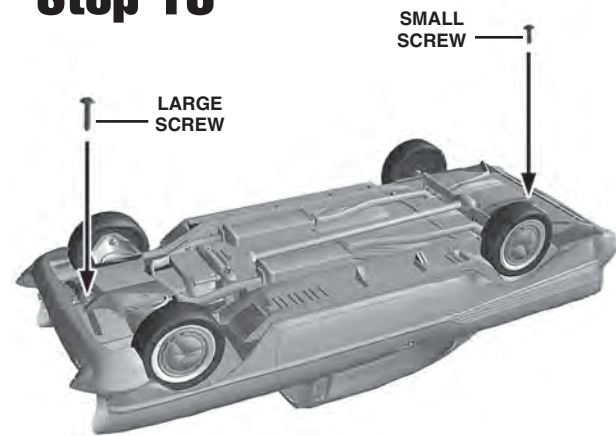


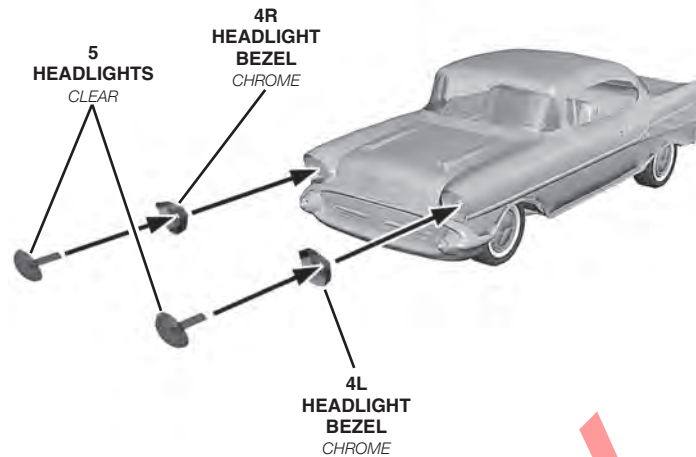
Step 12



Step 13



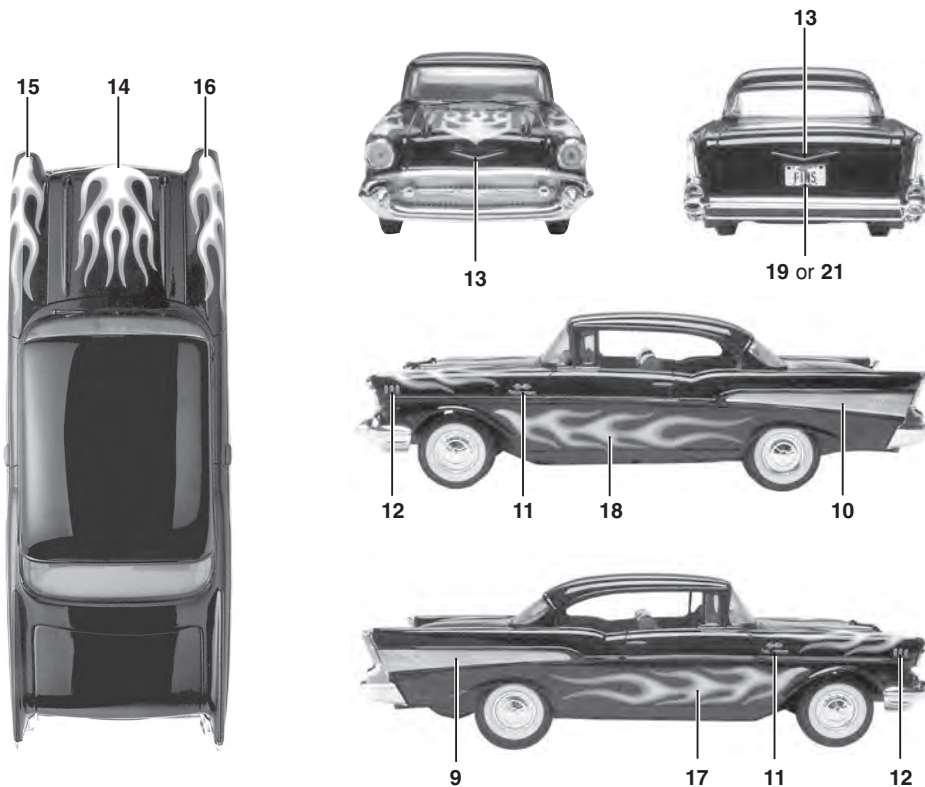
Step 14



ANY UNUSED PARTS MAY BE DISCARDED

Step 15

Sticker Placement Guide



PLACE STICKER #22 ON YOUR "ADVENTURES BUILT" COLLECTOR POSTER. YOU CAN PUT STICKER #23 ON A BACKPACK, A NOTEBOOK OR WHEREVER YOU WANT!

ANY UNUSED STICKERS MAY BE DISCARDED

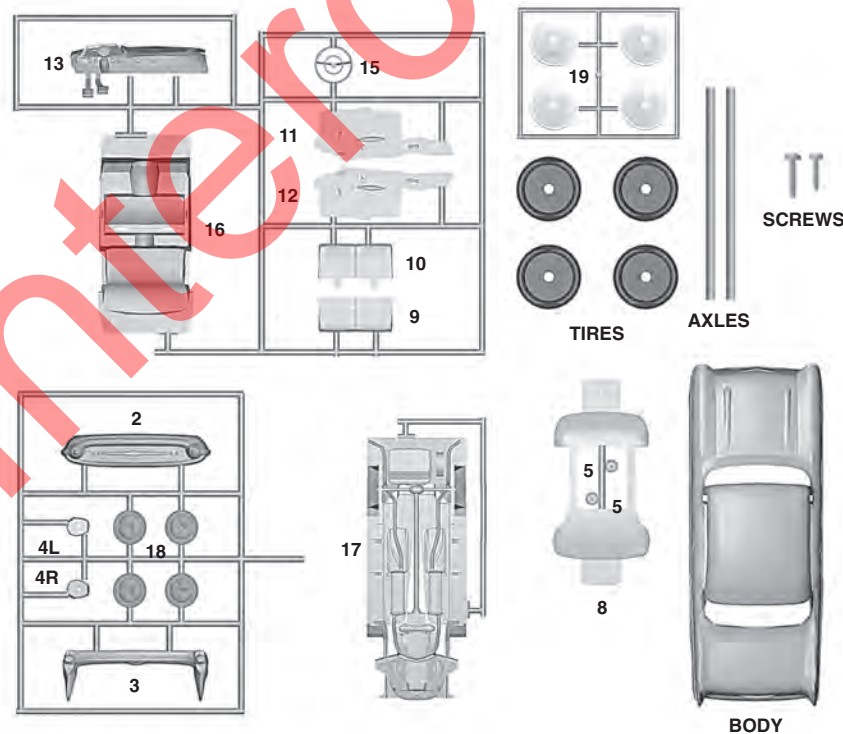
NOTE:

When applying stickers, avoid touching the "sticky" side to prevent finger prints on stickers. Bend sticker sheet slightly to lift edge of sticker & use a fingernail to lift sticker from sheet. Line up sticker on body and press an edge into place, slowly working sticker with a fingernail until sticker is fully on model.

REMARQUE :

Pendant l'application des autocollants, évitez de toucher à la face collante pour ne pas laisser d'empreintes. Plier légèrement la feuille d'autocollants pour relever le bord d'un autocollant, et le détacher de la feuille avec le bout d'un ongle. Aligner l'autocollant sur la carrosserie, appuyer pour coller un de ses bords, et continuer de l'appliquer lentement du bout de l'ongle jusqu'à ce qu'il soit complètement collé sur le modèle réduit.

Parts Included



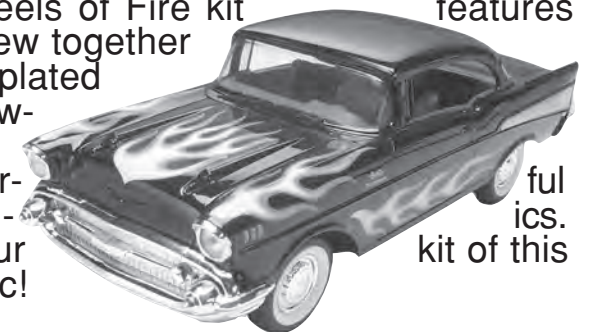
KIT 1912

85191200200

'57 Chevy® Bel Air®

The 1957 Chevrolet is one of the most popular and widely recognized cars in history, and a true American classic. The '57 Bel Air two door hardtop is one of the most desirable of the many '57 Chevy body styles, especially if it is equipped with a factory fuel-injected engine. Chevrolet's legendary small block V-8 grew to 283 cubic inches for 1957, and the fuel-injected versions were among the first American engines to generate one horsepower per cubic inch of engine displacement. With its great looks and easily hot rodded V-8 engine, the '57 Bel Air was, and still is, a hot rodder's and customizer's dream.

Your Revell Wheels of Fire kit features easy snap and screw together assembly, chrome plated parts, a stock or lowered ride height option, and color-stick-on graphics. Enjoy building your All-American classic!



* REMOVE AND THROW AWAY
* A RETIRER ET JETER



* OPTIONAL PARTS
* PIÈCES EN OPTION



* REPEAT SEVERAL TIMES
* A REPETER PLUSIEURS FOIS



* APPLY STICKERS
* APPLIQUEZ LES AUTO-COLLANTS

READ BEFORE YOU BEGIN

- CLEAR A SPACE TO WORK ON
- STUDY THE ASSEMBLY DRAWINGS BEFORE YOU BEGIN
- EACH PLASTIC PART IS IDENTIFIED BY A PART NUMBER
- DO NOT OVER TIGHTEN SCREWS
- SEE NOTE ABOUT APPLYING STICKERS IN STEP #15

CAUTION:

POSITION ALL PARTS IN THIS KIT CAREFULLY. PARTS WILL ONLY SNAP TOGETHER ONCE.

À LIRE AVANT DE COMMENCER

- DÉGAGEZ UN ESPACE POUR TRAVAILLER.
- ÉTUDIEZ LES ÉTAPES DE MONTAGE AVANT DE COMMENCER.
- CHAQUE PIÈCE EN PLASTIQUE PORTE UN NUMÉRO DE PIÈCE.
- NE SERREZ PAS TROP LES VIS.
- LISEZ LA RE MARQUE CONCERNANT L'APPLICATION DES AUTO COLLANTS, À L'ÉTAPE 15.

MISE EN GARDE:

POSITIONNEZ AVEC PRÉCAUTION TOUTES LES PIÈCES DE CE MODÈLE RÉDUIT, CAR VOUS NE POUVEZ LES EMBOÏTER QU'UNE SEULE FOIS.

If you have any questions or comments, call our hotline at: (800) 833-3570 or, please write to:

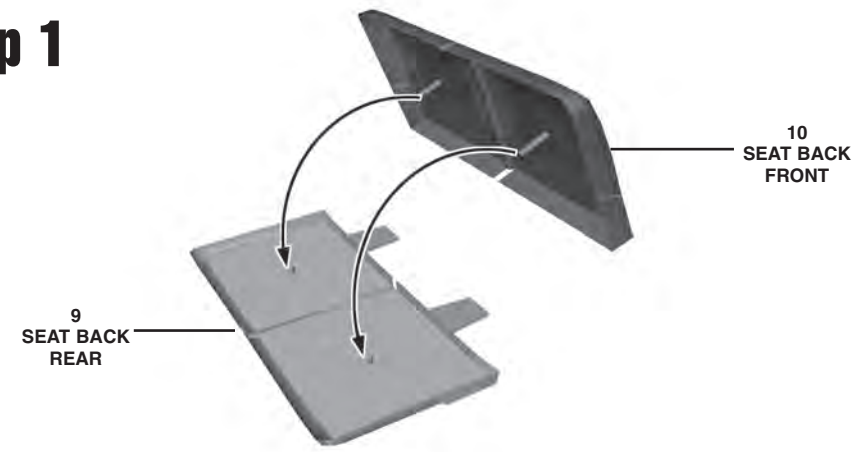
Revell-Monogram Consumer Service Department, 725 Landwehr Road, Northbrook, Illinois 60062

Be sure to include the plan number (85191200200), part number, description, your return address and phone number.

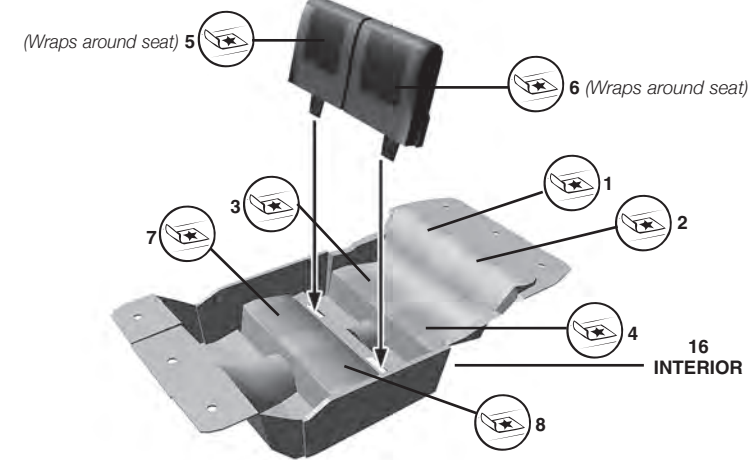
Visit our website: www.revell-monogram.com

REVELL-MONOGRAM LLC Northbrook, IL. Copyright © 2003. All rights reserved.

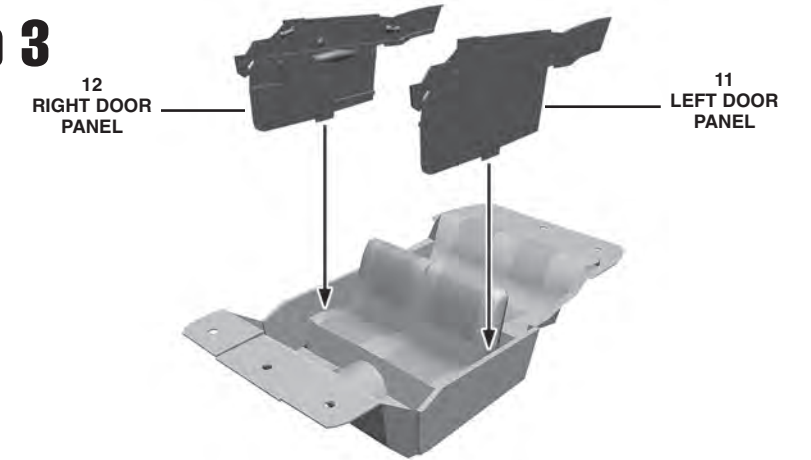
Step 1



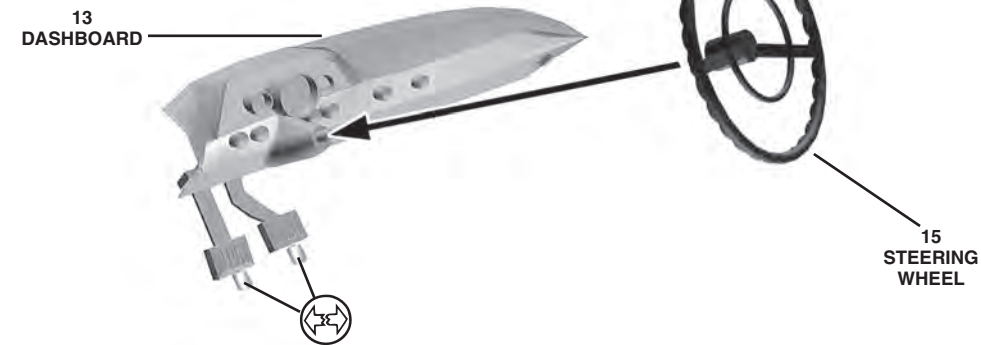
Step 2



Step 3



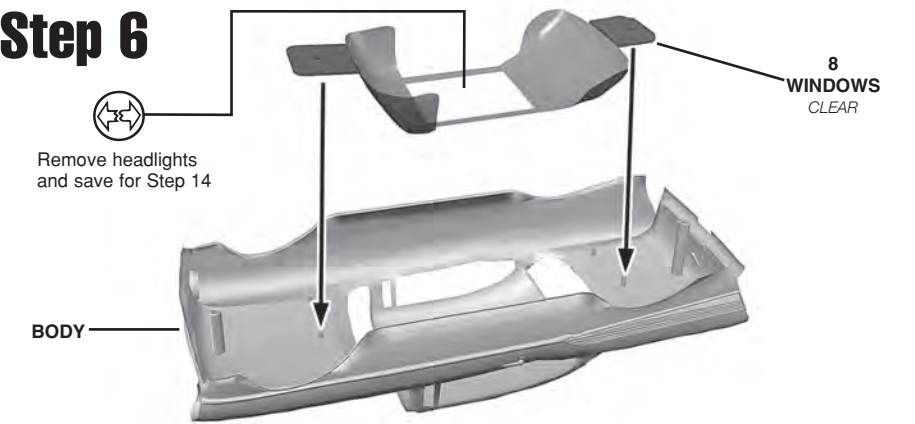
Step 4



Step 5



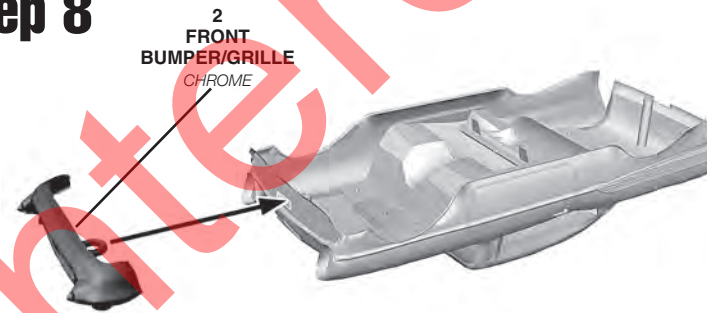
Step 6



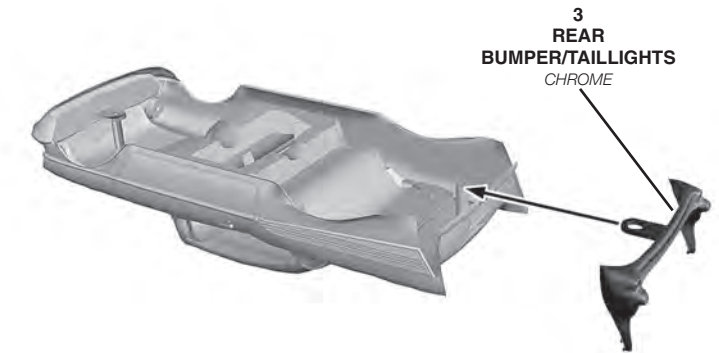
Step 7



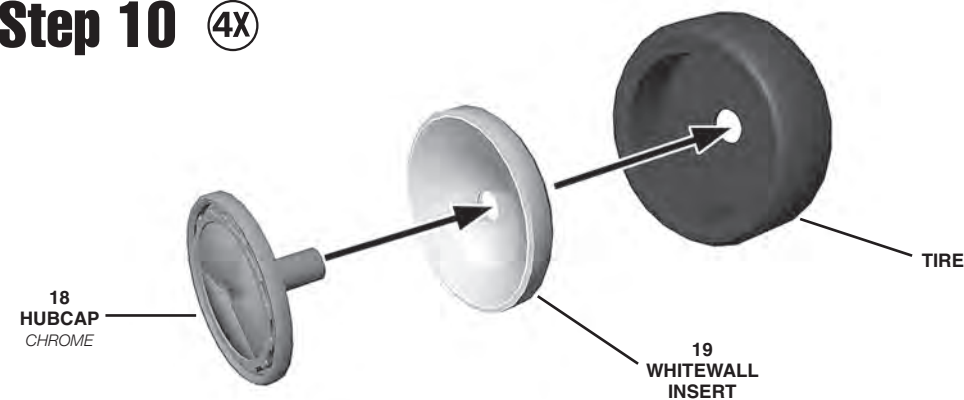
Step 8



Step 9



Step 10 (4X)



Step 11

