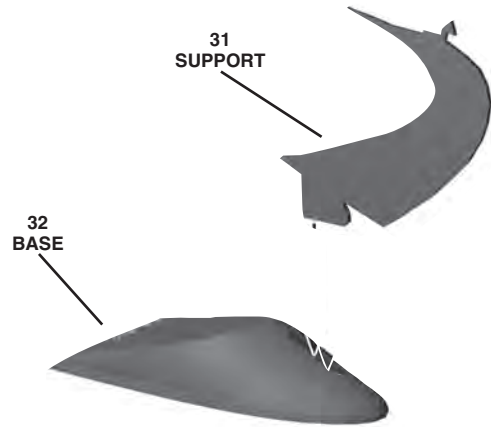
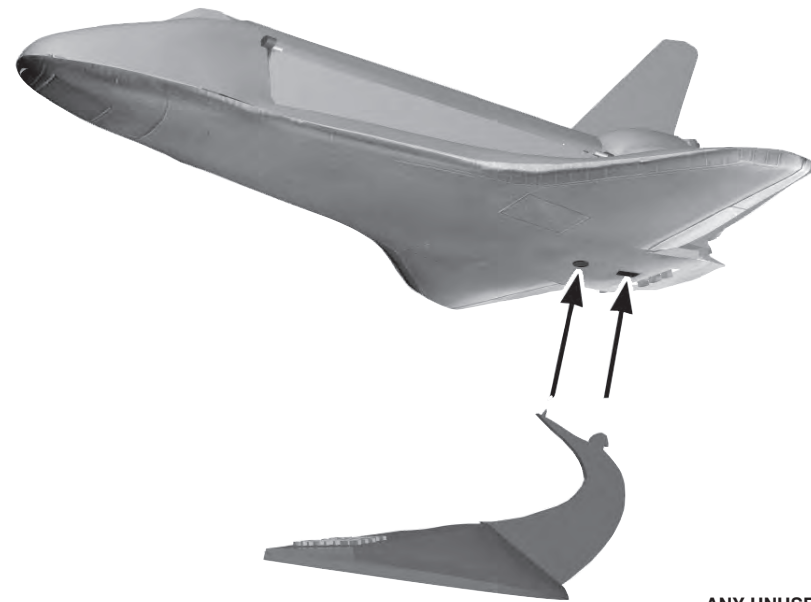


Step 10



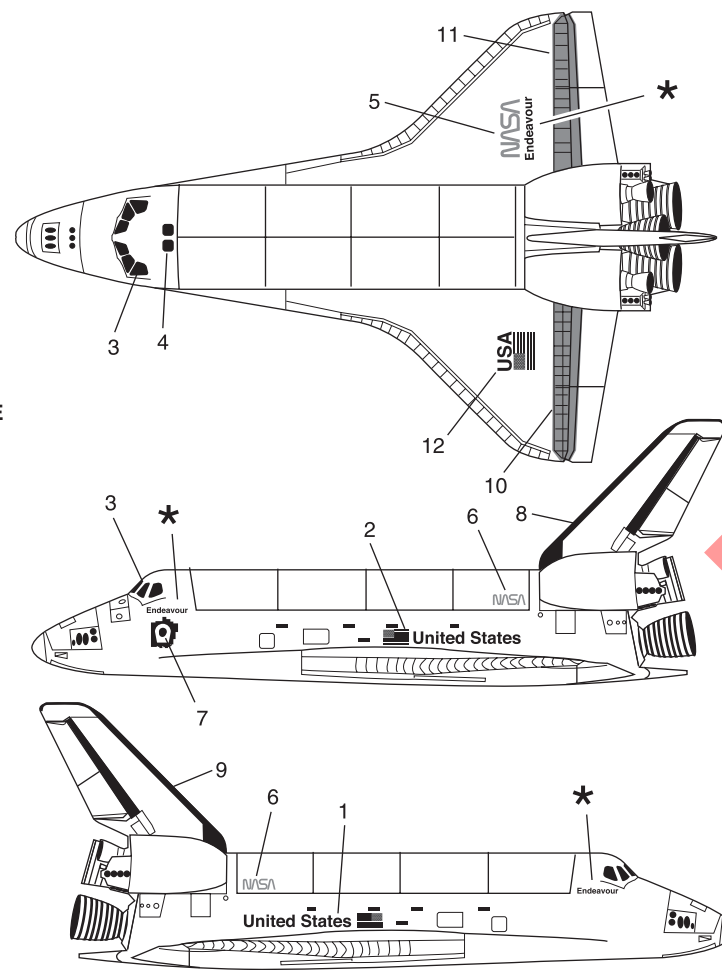
Step 11



ANY UNUSED PARTS MAY BE DISCARDED

Step 12

Sticker Placement Guide



YOU CAN CHOOSE TO BUILD YOUR SHUTTLE AS THE COLUMBIA, DISCOVERY, ATLANTIS OR THE ENDEAVOR. USE THE LARGE NAME STICKER ON THE RIGHT WING AND THE TWO SMALLER NAME STICKERS ON THE SIDES OF YOUR MODEL AS SHOWN.

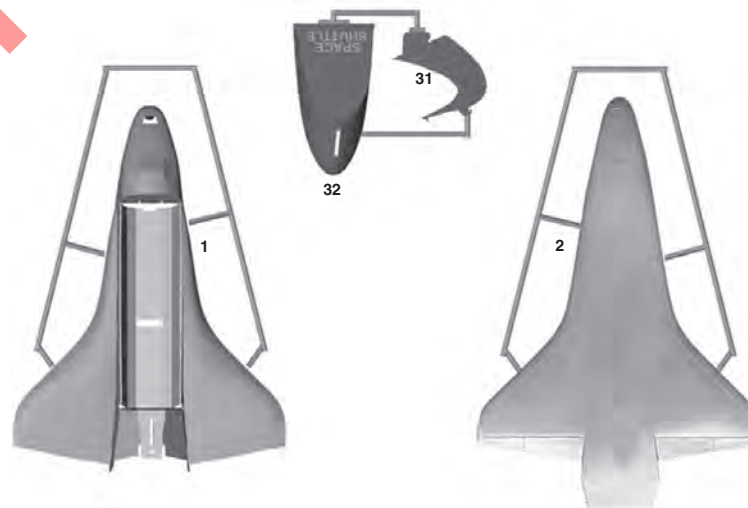
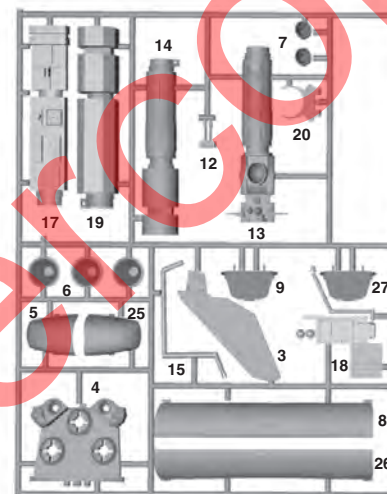
NOTE:

When applying stickers, avoid touching the "sticky" side to prevent finger prints on stickers. Bend sticker sheet slightly to lift edge of sticker & use a fingernail to lift sticker from sheet. Line up sticker on body and press an edge into place, slowly working sticker with a finger nail until sticker is fully on model.

REMARQUE :

Pendant l'application des autocollants, éviter de toucher à la face collante pour ne pas laisser d'empreintes. Plier légèrement la feuille d'autocollants pour relever le bord d'un autocollant, et le détacher de la feuille avec le bout d'un ongle. Aligner l'autocollant sur la carrosserie, appuyer pour coller un de ses bords, et continuer de l'appliquer lentement du bout de l'ongle jusqu'à ce qu'il soit complètement collé sur le modèle réduit.

Parts Included



KIT 1188

85118800200

SPACE SHUTTLE

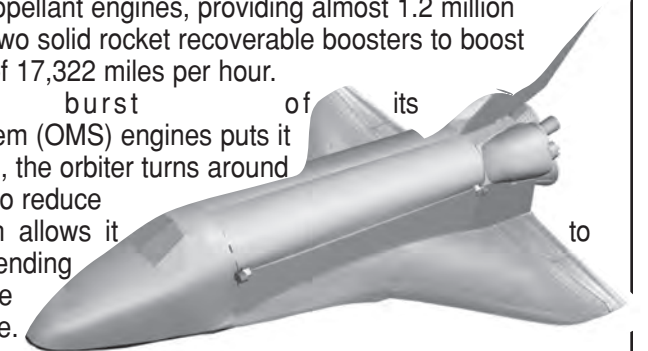
Rockwell International's Space Shuttle Orbiter is a reusable integral component of the sophisticated Space Shuttle System that provides Astronauts great flexibility in their continuing exploration of space.

The shuttle transports cargo, aka payload (mostly satellites), into near Earth orbit 115 to 250 statute miles above the Earth. The payload is carried in a huge bay: 60 feet long and 15 feet in diameter! Orbiter missions include space experimentation, and the rescue, repair and retrieval of disabled satellites, including the Hubble Space Telescope. It can be used as an astronaut rescue vehicle, should the need arise.

The orbiter is 184 feet long and has a wingspan of 78 feet. It can carry a flight crew of 8 persons (10 in emergency conditions) in the shirtsleeve environment of its crew compartment. Most of the orbiter structure is aluminum alloy covered with a variety of thermal protection surfaces.

Three integral liquid propellant engines, providing almost 1.2 million pounds of thrust, join with two solid rocket recoverable boosters to boost the spacecraft to a speed of 17,322 miles per hour.

A short burst of its Orbiting Maneuvering System (OMS) engines puts it into orbit. To return to Earth, the orbiter turns around and fires its OMS engines to reduce speed by 205 mph, which allows it slip out of orbit. After descending through the atmosphere, the orbiter lands like an airplane.



* OPTIONAL PARTS
* PIÈCES EN OPTION



* APPLY STICKERS
* APPLIQUEZ LES AUTO-COLLANTS

READ BEFORE YOU BEGIN

- CLEAR A SPACE TO WORK ON
- STUDY THE ASSEMBLY DRAWINGS BEFORE YOU BEGIN
- EACH PLASTIC PART IS IDENTIFIED BY A PART NUMBER
- SEE NOTE ABOUT APPLYING STICKERS IN STEP #12

CAUTION:
POSITION ALL PARTS IN THIS KIT CAREFULLY. PARTS WILL ONLY SNAP TOGETHER ONCE.

À LIRE AVANT DE COMMENCER

- DÉGAGEZ UN ESPACE POUR TRAVAILLER.
- ÉTUDIEZ LES ÉTAPES DE MONTAGE AVANT DE COMMENCER.
- CHAQUE PIÈCE EN PLASTIQUE PORTE UN NUMÉRO DE PIÈCE.
- LISEZ LA REMARQUE CONCERNANT L'APPLICATION DES AUTO-COLLANTS, À L'ÉTAPE 12.

MISE EN GARDE:
POSITIONNEZ AVEC PRÉCAUTION TOUTES LES PIÈCES DE CE MODÈLE RÉDUIT, CAR VOUS NE POUVEZ LES EMBOÏTER QU'UNE SEULE FOIS.

If you have any questions or comments, call our hotline at: (800) 833-3570 or, please write to:

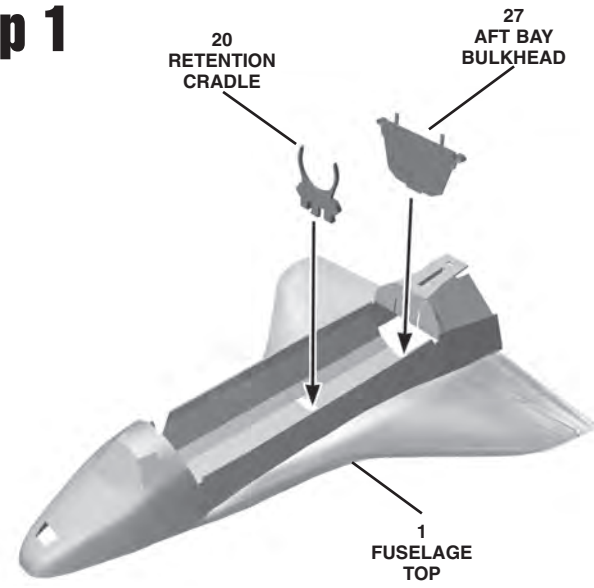
Revell-Monogram Consumer Service Department, 725 Landwehr Road, Northbrook, Illinois 60062

Be sure to include the plan number (85118800200), part number, description, your return address and phone number.

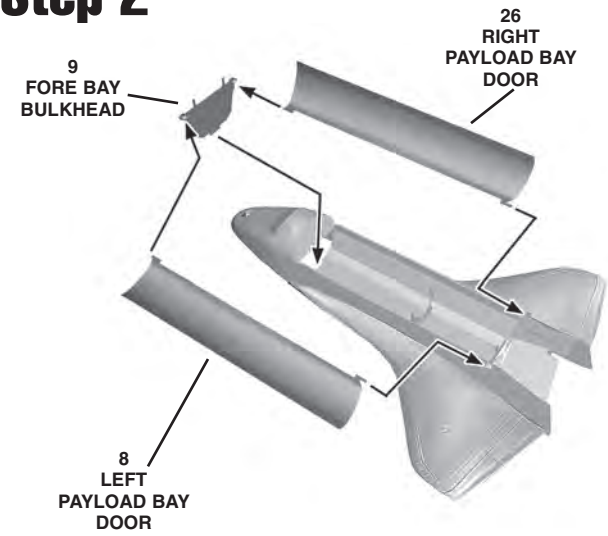
Visit our website: www.revell-monogram.com

REVELL-MONOGRAM LLC Northbrook, IL. Copyright © 2003. All rights reserved.

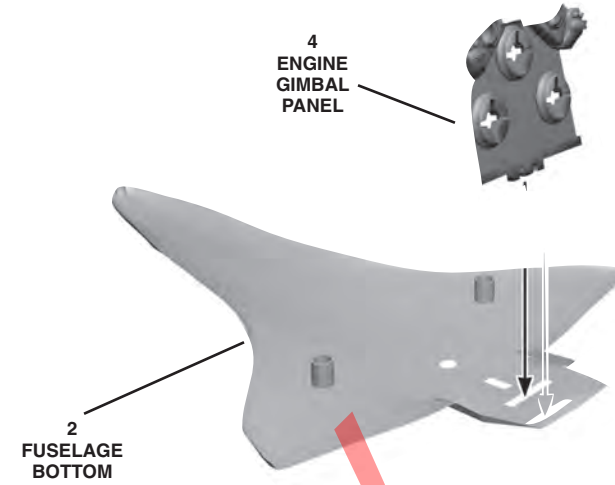
Step 1



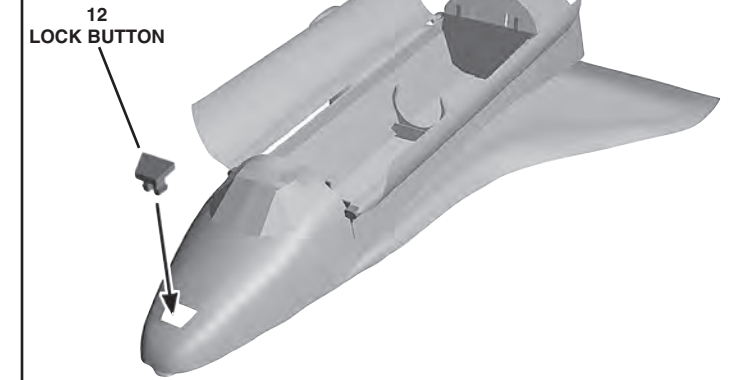
Step 2



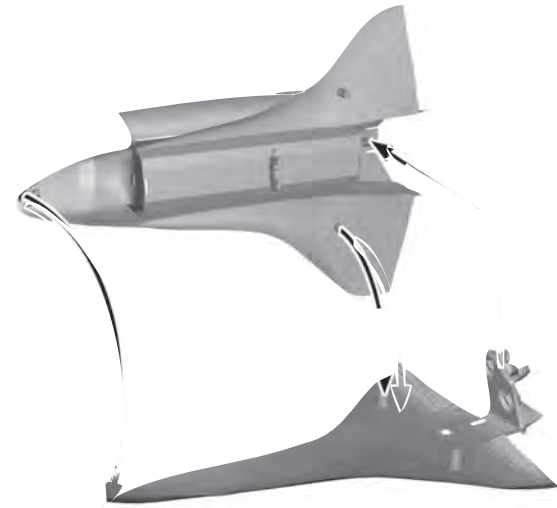
Step 3



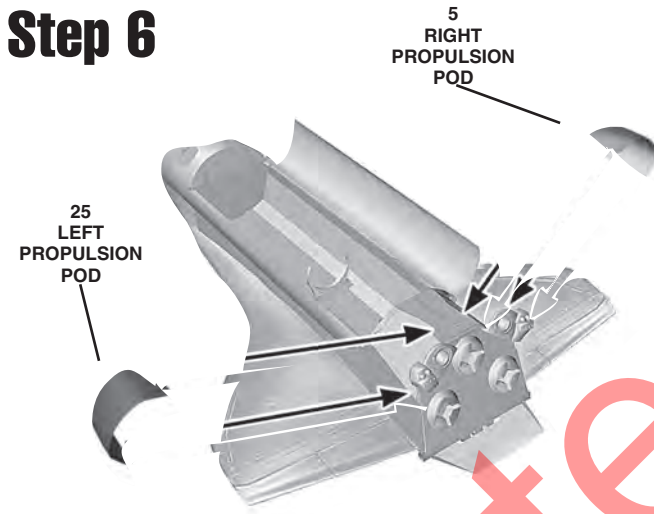
Step 4



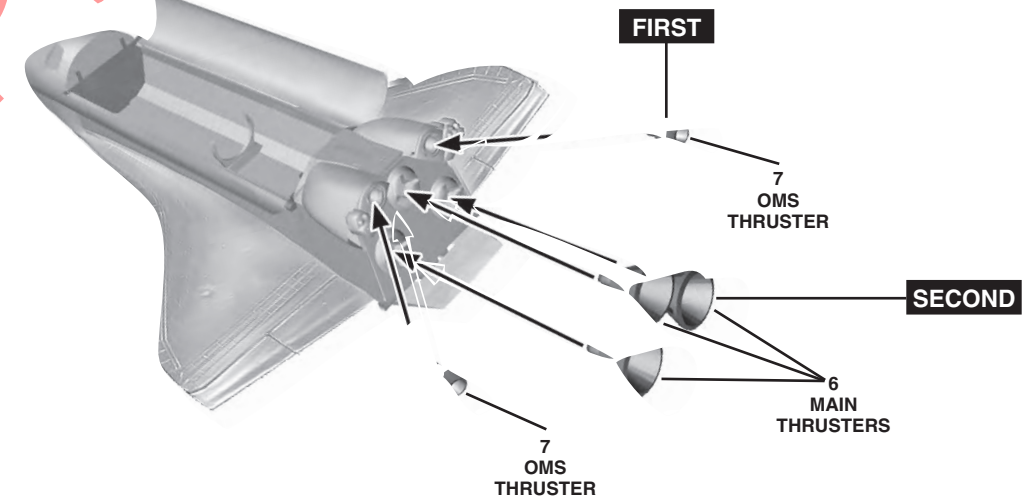
Step 5



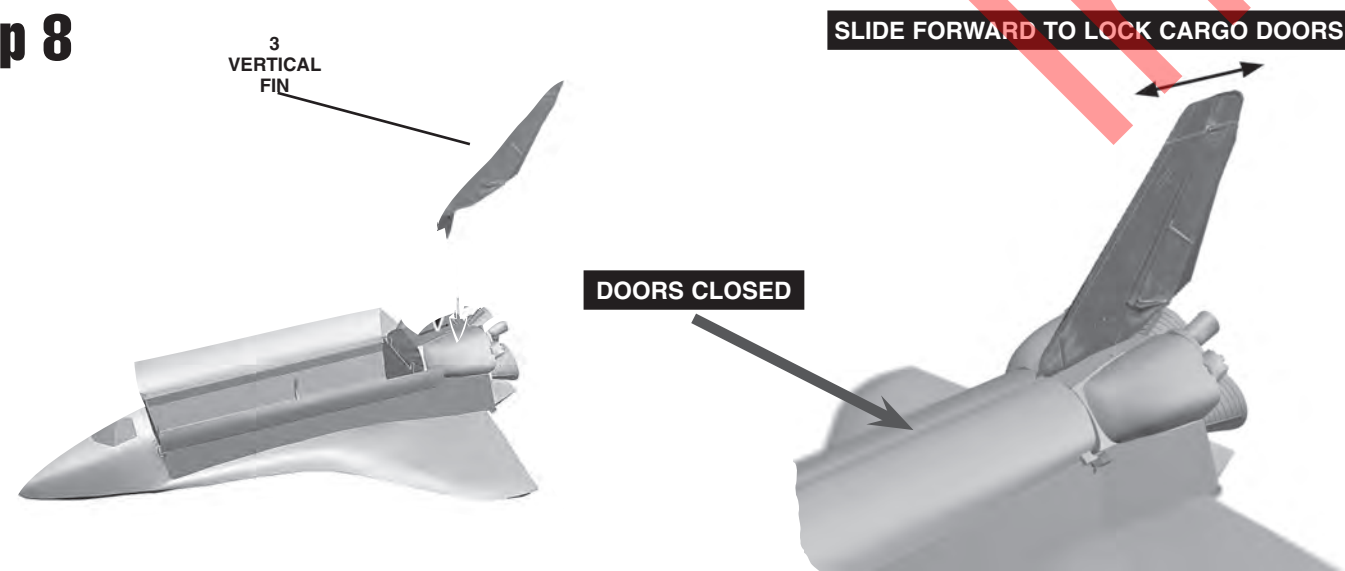
Step 6



Step 7



Step 8



Step 9

